



## SERVICE BULLETIN

**Subject:** Slide-Away Wheelchair Lift Retrofit  
**Applicable Products:** Slide-Away Series Products  
**Effectivity:** Slide-Away Retrofit for Models with S/Ns 224597-Lower and S/Ns 224598-Above

---

RICON SERVICE BULLETINS ARE FOR USE BY PROFESSIONAL SERVICE TECHNICIANS, AND ARE NOT INTENDED FOR USE BY NON-PROFESSIONALS OR AMATEURS. SERVICE BULLETINS ALERT TECHNICIANS TO ISSUES THAT MAY OCCUR WITH RICON PRODUCTS, AND ARE INTENDED TO ASSIST THE TECHNICIAN IN THE PROPER SERVICE OF THOSE PRODUCTS.

PROFESSIONAL SERVICE TECHNICIANS HAVE THE BACKGROUND AND KNOWLEDGE TO PERFORM MAINTENANCE WORK PROPERLY AND SAFELY.

AN ISSUE DESCRIBED BY A SERVICE BULLETIN DOES NOT NECESSARILY APPLY TO EVERY UNIT IN A PRODUCT LINE. A RICON AUTHORIZED SERVICE TECHNICIAN WILL BE ABLE TO DETERMINE WHICH UNITS CAN BENEFIT FROM THE INFORMATION PROVIDED HERE.

---

### Introduction

This bulletin provides a brief description of the technical issues and description of the corrective actions required.

### Incorporation

Ricon requires the incorporation of this service bulletin as soon as possible.

### Information

#### A. Slide-Away Retrofit Kit #42031 for models with Serial Numbers 224598 and Above

Slide-Away models identified with serial numbers 224598 and above, contain the following kits to be installed with reference to Installation Instruction (32ii416e.A):

Part Number	Description
1.) 36998	<b>Kit, Gas Spring</b> <ul style="list-style-type: none"><li>- Requires replacement of gas strut with new gas spring and new cable.</li></ul>
2.) 34574	<b>Kit, Main Roller</b> <ul style="list-style-type: none"><li>- Requires replacement of main roller assembly, pin retainer and snap ring with new main roller assembly and pin retainment weldment. Install with supplied attaching hardware.</li></ul>
3.) 42059	<b>Kit, Dual Pulley</b> <ul style="list-style-type: none"><li>- Requires replacement of slider cable keeper and half moon guide with new dual pulley assembly. Install with supplied attaching hardware.</li></ul>
4.) 42054	<b>Kit, Stow-Lock</b> <ul style="list-style-type: none"><li>- Requires replacement of stow-lock latch weldment and stow-lock assembly with new stow-lock latch weldment and stow-lock assembly.</li></ul>
5.) 42052	<b>Kit, T-Nut Roller</b> <ul style="list-style-type: none"><li>- Requires replacement of t-nut and lower parallel arms then replace with new t-nut roller and new lower parallel arms. Install with supplied attaching hardware.</li></ul>
6.) 42053	<b>Kit, Bracket, Platform Fold</b> <ul style="list-style-type: none"><li>- Requires replacement of welded platform fold brackets with new platform fold brackets that are installed with supplied attaching hardware. Requires dealer supplied platform fold bracket tool to locate and drill holes on the bottom of the platform frame.</li></ul>
7.) 42061	<b>Kit, Guide, Block, Bridgeplate</b> <ul style="list-style-type: none"><li>- Requires replacement of two bridgeplate center slider blocks with installation of two new bridgeplate center slider blocks, two outer contact blocks and two skids. Requires drill and tap holes into bridgeplate for outer bridgeplate contact blocks and skids.</li></ul>
8.) 42058	<b>Kit, Guide, Platform-Tower</b> <ul style="list-style-type: none"><li>- Requires installation of two new platform tower guides to be installed with supplied hardware.</li></ul>

**B. Slide-Away Retrofit Kit # 42032 for models with Serial Numbers 224597 and Lower**

Slide-Away models identified with serial numbers 224597 and lower, contain most of the kits identified above with the addition of the following kits (items 8 and 9), to be installed with reference to Installation Instruction (32ii417e.A):

Part Number	Description
1.) 36998	Kit, Gas Spring
2.) 34574	Kit, Main Roller
3.) 42054	Kit, Stow-Lock
4.) 42052	Kit, T-Nut Roller
5.) 42053	Kit, Bracket, Platform Fold
6.) 42061	Kit, Guide, Block, Bridgeplate
7.) 42058	Kit, Guide, Platform-Tower
8.) 42057	Kit, Guide, Anchor, Tower, Slide-Away - Requires replacement of glide blocks with two new tower anchor guides.
9.) PM312210112	Pump Assembly - Requires replacement of pump assembly PM212000000 with new pump assembly PM312210112. Platform pressure switch check using the 50 pound load test will also be required.

**Caution**

See warning below.

**Corrective Action**

Inspect units for applicable retrofits required for models manufactured before serial number 224597 and after serial number 224598.

**A. Slide-Away Retrofit Kit #42031 for models with Serial Numbers 224598 and Above**

**Note:** This corrective action only affects models with serial numbers 224598 and above. This kit is only for replacement of the gas strut, slider cable keeper/half moon guide, stow-lock latch and assembly, t-nut, lower parallel arms, platform fold brackets, bridgeplate guide blocks and platform-tower guides. Refer to Figure 1.

1. Inspect model serial number and unit to determine if retrofit kit is applicable.
2. Ensure that the applicable kit includes all of the kits required before proceeding with retrofit.
3. If the wheelchair lift has a model serial number 224598 and above then follow installation instructions (32ii416e) for Slide-Away Retrofit Kit #42031.

**Note:** A separate Gas Spring Kit #36998 is included in this retrofit kit and can be ordered separately.

**B. Slide-Away Retrofit Kit #42032 for models with Serial Numbers 224597 and Lower**

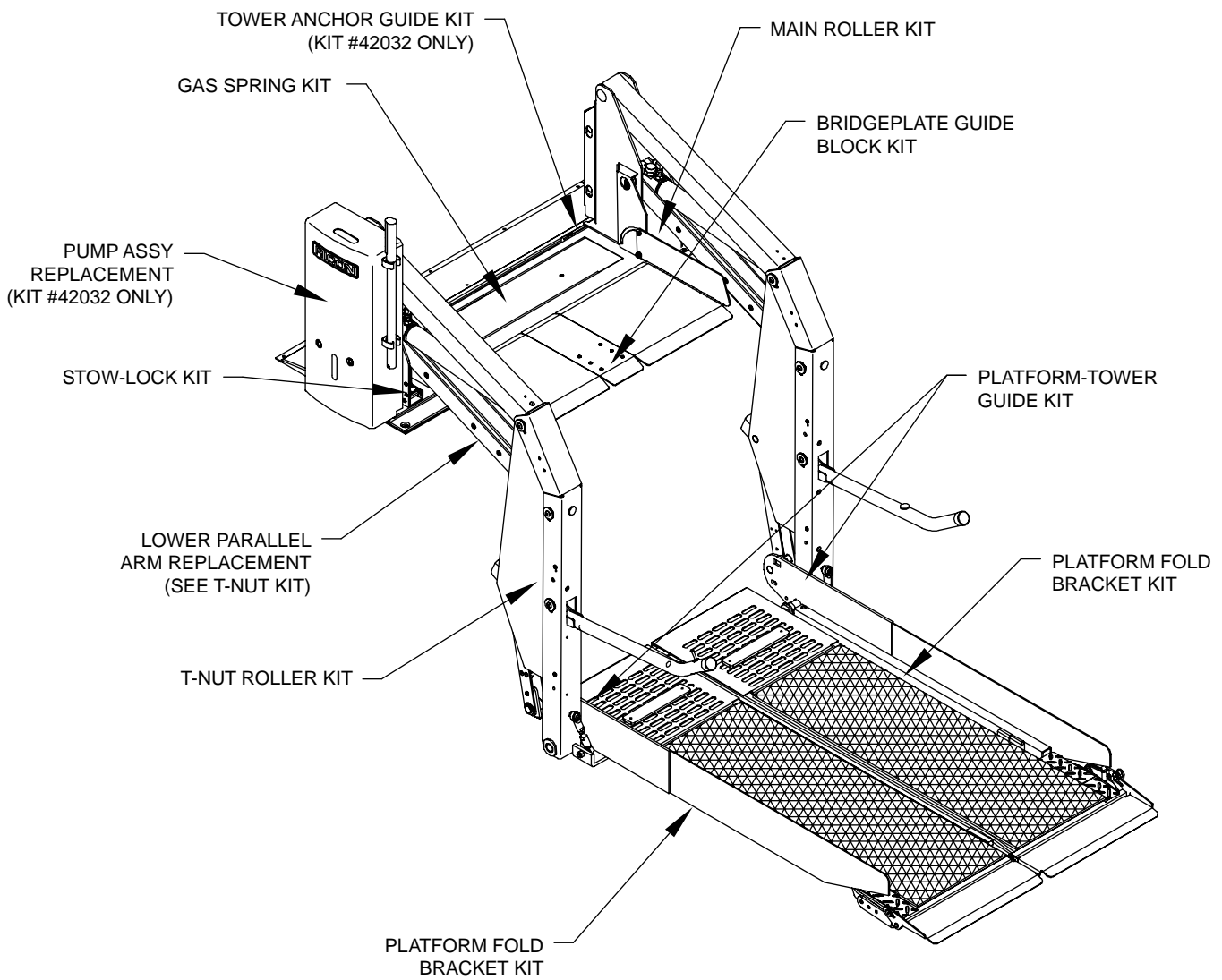
**Note:** This corrective action only affects models with serial numbers 224597 and lower. This kit includes the same procedures as mentioned above with the addition of the tower anchor guides and replacement of the pump assembly. Refer to Figure 1.

1. Inspect model serial number and unit to determine if retrofit kit is applicable.
2. Ensure that the applicable kit includes all of the kits required before proceeding with retrofit.
3. If the wheelchair lift has a model serial number 224597 or lower then follow installation instructions (32ii417e) for Slide-Away Retrofit Kit #42032.

**Note:** A separate Gas Spring Kit #36998 is included in this retrofit kit and can be ordered separately.

**Parts Involved**

Slide-Away Retrofit Kit for models with S/N 224598-Above .....	P/N 42031
Slide-Away Retrofit Kit for models with S/N 224597-Lower.....	P/N 42032



RSB0001100

**FIGURE 1: SLIDE-AWAY KIT COMPONENT LOCATIONS**

**NOTES:**