



**INSTALLATION INSTRUCTIONS**  
**SOLENOID, BRACKET AND COVER REPLACEMENT**  
**KIT # 01238 - 12 VOLT, 01239 - 24 VOLT**  
**S-SERIES, 32000+**

- Be certain that these supplemental instructions are read and understood completely before installation is attempted. You should also refer to the Service/Owner Manual for additional installation instructions and safety precautions.
- Check contents of this kit and notify Ricon immediately of any missing parts. Claims for damages that have occurred during shipping must be made to the shipper.

<b>TABLE OF CONTENTS</b>	<b>PAGE</b>
I. INTRODUCTION .....	1
II. TOOLS REQUIRED .....	1
III. DISASSEMBLY PROCEDURE .....	1
IV. ASSEMBLY PROCEDURE .....	2

**I. INTRODUCTION**

The following instructions outline the step by step replacement of the solenoid assembly and cover on an S-Series Lift.

**II. TOOLS REQUIRED**

Phillips Screw Driver                      Hex Wrench set                      Needle Nose Plier

**III. DISASSEMBLY PROCEDURE**

- A. Remove the three Hex screws and save.
- B. Remove cover and discard.
- C. Remove the Phillips screw and save.
- D. Detach the Molex connector of the solenoid from the lift.
- E. Remove clip from bottom of the solenoid and save.
- F. Remove solenoid and discard.
- G. Remove the bracket and discard.

#### IV. ASSEMBLY PROCEDURE (Figure [1])

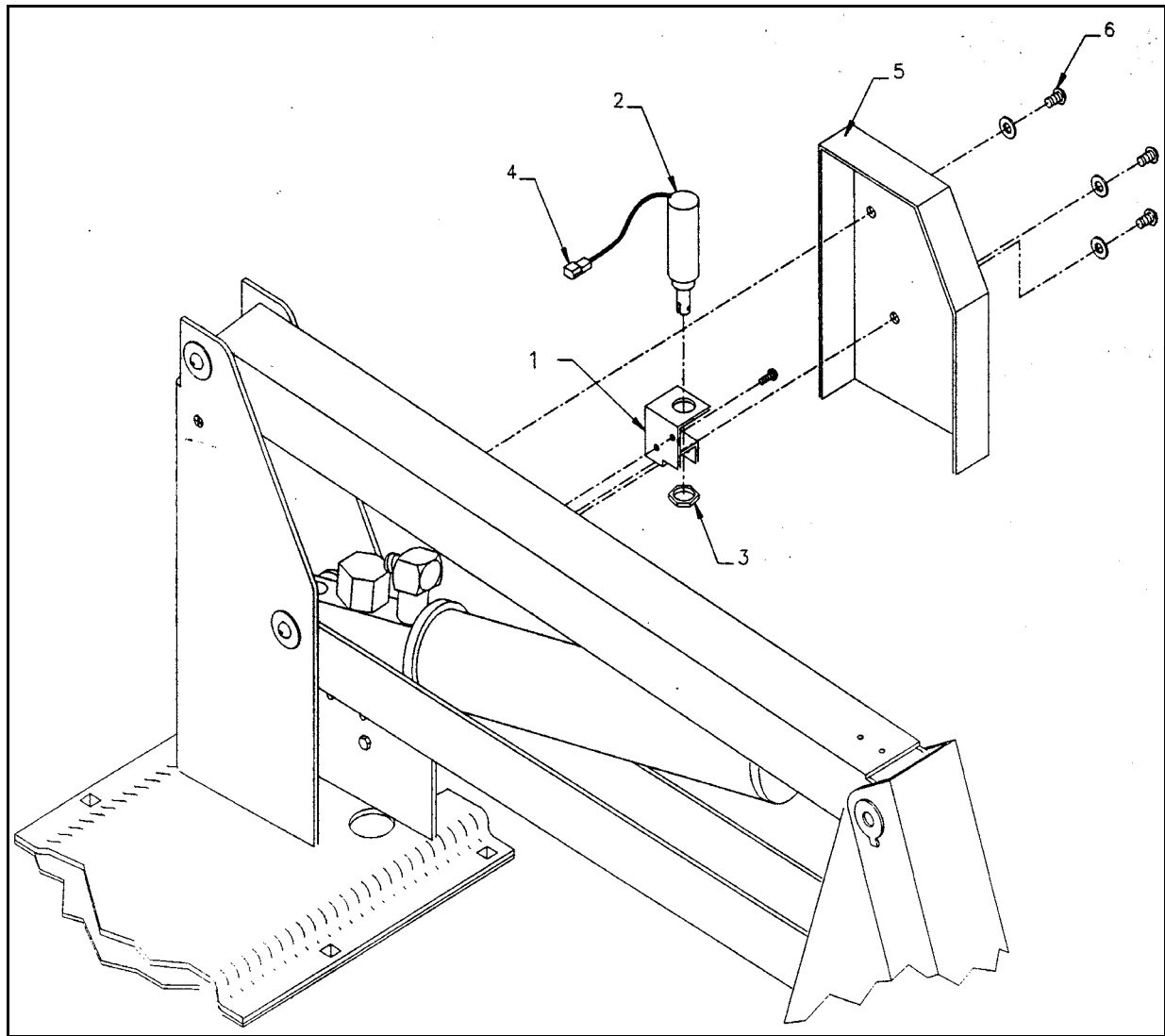


FIGURE [1]

- A. Replace and fasten the new bracket supplied (**Item 1**).
- B. Replace and fasten the new solenoid (**Item 2**) using **Item 3**.
- C. Route saved clip through bottom hole of the solenoid.
- D. Route saved spring through the clip as before.
- E. Attach the saved spring as before.
- F. Connect the Molex connector to the lift (**Item 4**).
- G. Replace and fasten the new cover (**Item 5**) using **Item 6**.