



**INSTALLATION INSTRUCTIONS
SUPPLEMENTAL SERVICE/OWNER DOCUMENT
INSTRUCTIONS FOR S-SERIES 1250 LB LOADS**

- Be certain that these supplemental instructions are read and understood completely before installation is attempted. You should also refer to the Service/Owner Manual for additional installation instructions and safety precautions.
- Check contents of this kit and notify Ricon immediately of any missing parts. Claims for damages that have occurred during shipping must be made to the shipper.

TABLE OF CONTENTS	PAGE
I. INSTRUCTION	1
II. INSTALLATION	1
III. MAINTENANCE	2

I. INSTRUCTION

Be certain that the following important instructions are read and followed carefully before using this S-Series lift with loads in excess of 800 lbs.

II. INSTALLATION

- A. Be certain that the vehicle structure will support loads imparted by the lift. A door brace kit (Ricon part # 01129) is available for installations where additional structural support is necessary.
- B. **Normal** installation verification requires that the installed lift be test loaded to 125% of the 800 pound "Rated Capacity" or 1000 lbs. The Ricon S-Series lift may also be installed to lift 1000 lbs by verifying the installation to the "Tested Capacity" of the lift or 1250 lbs. See the following "Load Capacity" definitions:
 - **Rated Capacity** (800 pounds (364 Kg)): The rated capacity is defined as the load that a unit can raise or lower for a minimum of 15,000 cycles when properly maintained as described in this document.
 - **Tested Capacity** (1250 pounds (568 Kg)): The tested capacity is defined as the load that a representative lift has been tested to for raising and lowering a maximum load of 1000 pounds (455 Kg).
- C. Affix Maximum Capacity Decal:
 1. Be certain to remove the existing maximum load decal from the right vertical arm of the lift ref. **FIGURE [1]**, then thoroughly clean and dry that same area to ensure permanent adhesion for the replacement decal.

- Affix replacement decal (Ricon part # 26234) to the lift see **FIGURE [1]**.

III. MAINTENANCE

Use of the S-Series lift at maximum capacity (1000 lbs) requires an increase in scheduled maintenance. Lifts used at maximum capacity **must** be maintained at an interval that is at least two times more frequent than for units used at the rated capacity of 800 pounds.

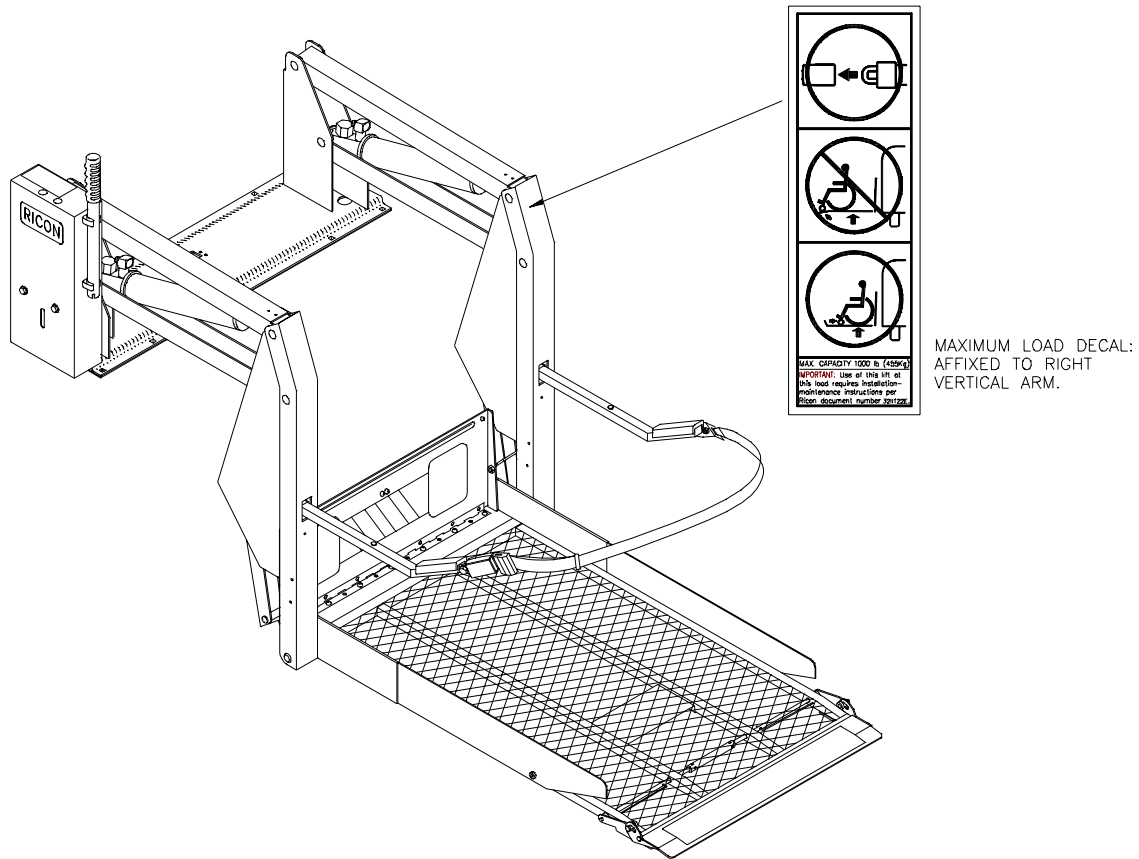


FIGURE [1]