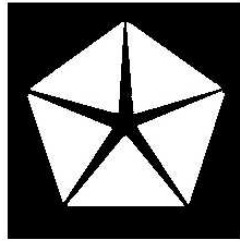


**Ricon Application Chart  
Dodge Ram Body Style  
1990 and Up**

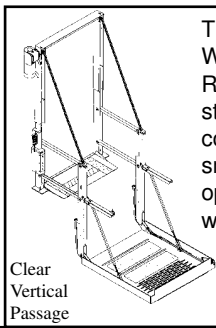
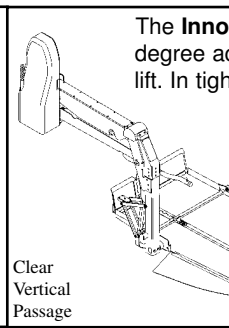
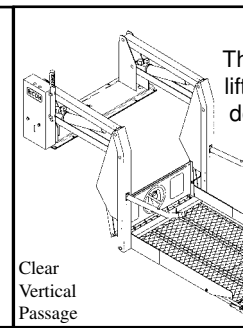
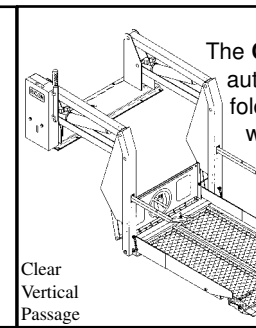
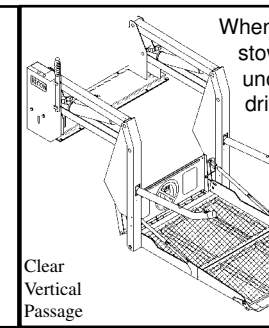


# Ricon Application Chart

## Lifts for Standard and Modified Vans

1990 and up  
**DODGE RAM**  
FULL SIZE



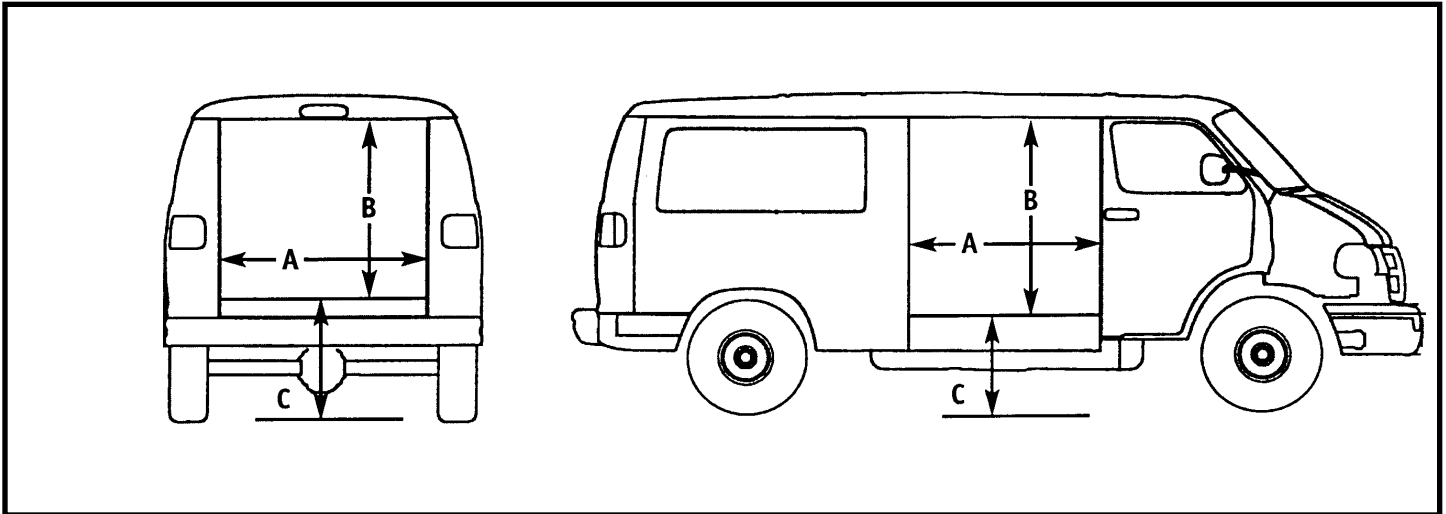
 <p>The <b>UNI-Lite™</b> Wheelchair Lift from Ricon is lightweight and strong, with its innovative controller it is one of the smoothest and quietest operating lifts in the world.</p> <p>Clear Vertical Passage</p>	 <p>The <b>Innovator™</b> gives you 180-degree access to your wheelchair lift. In tight parking situations</p> <p>Clear Vertical Passage</p>	 <p>The <b>Reliant™</b> wheelchair lift from Ricon offers you dependable accessibility while its trim, compact design maximizes valuable interior space.</p> <p>Clear Vertical Passage</p>	 <p>The <b>Clearway's™</b> fully automatic split platform folds up and out of the way at the push of a button, leaving the doorway clear.</p> <p>Clear Vertical Passage</p>	 <p>When the <b>KlearVue™</b> lift is stowed, it provides an unobstructed view for the driver, helping to eliminate hazardous blind spots, allows a clear view for the passengers, and is virtually unseen from outside.</p> <p>Clear Vertical Passage</p>
---	--	--	---	--

STANDARD FLOOR STANDARD ROOF & DOORS	SIDE SLIDE DOOR	up to 46"	U6-2636 (C) <sup>16&amp;b</sup> U6-2639 (C) <sup>16&amp;b</sup>	up to 46"	N/A	up to 46"	S1101 <sup>1</sup>	up to 46"	S1132 <sup>1</sup> S1231 <sup>1</sup>	S1133 <sup>1</sup>	up to 46"	K1200 <sup>1</sup> K1203 <sup>1</sup> K1205 <sup>1</sup>								
	SIDE SWING DOORS	up to 46"	U6-2636 (C) <sup>16&amp;b</sup> U6-2639 (C) <sup>16&amp;b</sup>	up to 46"	N/A	up to 46"	S1101 <sup>1</sup>	up to 46"	S1132 <sup>1</sup> S1231 <sup>1</sup>	S1133 <sup>1</sup>	up to 46"	K1200 <sup>1</sup> K1203 <sup>1</sup> K1205 <sup>1</sup>								
	REAR SWING DOORS	up to 46"	U6-2636 (C) <sup>16&amp;b</sup> U6-2639 (C) <sup>16&amp;b</sup>	up to 46"	N/A	up to 46"	S1101 <sup>3&amp;d</sup>	up to 46"	S1132 <sup>15&amp;d</sup> S1231 <sup>15&amp;d</sup>	S1133 <sup>15&amp;d</sup>	up to 46"	K1200 <sup>15&amp;d</sup> K1203 <sup>15&amp;d</sup> K1205 <sup>15&amp;d</sup>								
LOWERED FLOOR STANDARD ROOF & DOORS	SIDE SLIDE DOOR	up to 52"	N/A	up to 56"	N/A	up to 52"	N/A	up to 56"	N/A	N/A	up to 52"	N/A	up to 56"	N/A						
	SIDE SWING DOORS	up to 52"	N/A	up to 56"	N/A	up to 52"	N/A	up to 56"	N/A	N/A	up to 52"	N/A	up to 56"	N/A						
	REAR SWING DOORS	up to 52"	N/A	up to 56"	N/A	up to 52"	N/A	up to 56"	N/A	N/A	up to 52"	N/A	up to 56"	N/A						
LOWERED FLOOR RAISED ROOF & DOORS	SIDE SLIDE DOOR	up to 52"	N/A	up to 56"	N/A	up to 52"	N/A	up to 56"	N/A	N/A	up to 52"	N/A	up to 56"	N/A						
	SIDE SWING DOORS	up to 52"	N/A	up to 56"	N/A	up to 52"	N/A	up to 56"	N/A	N/A	up to 52"	N/A	up to 56"	N/A						
	REAR SWING DOORS	up to 52"	N/A	up to 56"	N/A	up to 52"	N/A	up to 56"	N/A	N/A	up to 52"	N/A	up to 56"	N/A						
STANDARD FLOOR RAISED ROOF & DOORS	SIDE SLIDE DOOR	up to 52"	U6-2644 <sup>16&amp;b</sup> U6-2944 <sup>16&amp;b</sup> U6-3240 <sup>16&amp;b</sup> U6-3244 <sup>16&amp;b</sup>	up to 56"	U6-2944 (T) <sup>16&amp;b</sup> U6-3240 (T) <sup>16&amp;b</sup> U6-3244 (T) <sup>16&amp;b</sup>	up to 52"	N/A	up to 56"	N/A	S1200 <sup>1</sup> S1204 <sup>1</sup> S1207 <sup>1</sup> S1208 <sup>1</sup>	up to 56"	S1203 <sup>1</sup> S1205 <sup>1</sup>	up to 52"	S1132 <sup>15</sup> S1133 <sup>15</sup> S1230 <sup>15</sup> S1231 <sup>15</sup>	up to 56"	S1132 <sup>15</sup> S1133 <sup>15</sup> S1230 <sup>15</sup> S1231 <sup>15</sup>	up to 52"	K1200 <sup>1</sup> K1203 <sup>1</sup> K1205 <sup>1</sup>	up to 56"	K1200 <sup>1</sup> K1203 <sup>1</sup> K1205 <sup>1</sup>
	SIDE SWING DOORS	up to 52"	U6-2644 <sup>16&amp;b</sup> U6-2944 <sup>16&amp;b</sup> U6-3240 <sup>16&amp;b</sup> U6-3244 <sup>16&amp;b</sup>	up to 56"	U6-2944 (T) <sup>16&amp;b</sup> U6-3240 (T) <sup>16&amp;b</sup> U6-3244 (T) <sup>16&amp;b</sup>	up to 52"	SPL-1 <sup>23</sup>	up to 56"	SPL-1 <sup>23</sup>	S1200 <sup>1</sup> S1204 <sup>1</sup> S1207 <sup>1</sup> S1208 <sup>1</sup>	up to 56"	S1203 <sup>1</sup> S1205 <sup>1</sup>	up to 52"	S1132 <sup>15</sup> S1133 <sup>15</sup> S1230 <sup>15</sup> S1231 <sup>15</sup>	up to 56"	S1132 <sup>15</sup> S1133 <sup>15</sup> S1230 <sup>15</sup> S1231 <sup>15</sup>	up to 52"	K1200 <sup>1</sup> K1203 <sup>1</sup> K1205 <sup>1</sup>	up to 56"	K1200 <sup>1</sup> K1203 <sup>1</sup> K1205 <sup>1</sup>
	REAR SWING DOORS	up to 52"	U6-2644 <sup>16&amp;b</sup> U6-2944 <sup>16&amp;b</sup> U6-3240 <sup>16&amp;b</sup> U6-3244 <sup>16&amp;b</sup>	up to 56"	U6-2944 (T) <sup>16&amp;b</sup> U6-3240 (T) <sup>16&amp;b</sup> U6-3244 (T) <sup>16&amp;b</sup>	up to 52"	N/A	up to 56"	N/A	S1200 <sup>3&amp;d</sup> S1204 <sup>3&amp;d</sup> S1207 <sup>3&amp;d</sup> S1208 <sup>3&amp;d</sup>	up to 56"	S1203 <sup>3&amp;d</sup> S1205 <sup>3&amp;d</sup>	up to 52"	S1132 <sup>15&amp;d</sup> S1133 <sup>15&amp;d</sup> S1230 <sup>15&amp;d</sup> S1231 <sup>15&amp;d</sup>	up to 56"	S1132 <sup>15&amp;d</sup> S1133 <sup>15&amp;d</sup> S1230 <sup>15&amp;d</sup> S1231 <sup>15&amp;d</sup>	up to 52"	K1200 <sup>15&amp;d</sup> K1203 <sup>15&amp;d</sup> K1205 <sup>15&amp;d</sup>	up to 56"	K1200 <sup>15&amp;d</sup> K1203 <sup>15&amp;d</sup> K1205 <sup>15&amp;d</sup>
LOWERED FLOOR RAISED ROOF- STANDARD DOORS	SIDE SLIDE DOOR	up to 52"	N/A	up to 56"	N/A	up to 52"	N/A	up to 56"	N/A	N/A	up to 52"	N/A	up to 56"	N/A						
	SIDE SWING DOORS	up to 52"	N/A	up to 56"	N/A	up to 52"	N/A	up to 56"	N/A	N/A	up to 52"	N/A	up to 56"	N/A						
	REAR SWING DOORS	up to 52"	N/A	up to 56"	N/A	up to 52"	N/A	up to 56"	N/A	N/A	up to 52"	N/A	up to 56"	N/A						
STANDARD FLOOR RAISED ROOF- STANDARD DOORS	SIDE SLIDE DOOR	up to 46"	U6-2636 (C) <sup>16&amp;b</sup> U6-2639 (C) <sup>16&amp;b</sup>	up to 46"	N/A	up to 46"	S1101 <sup>1</sup>	up to 46"	S1132 <sup>1</sup> S1231 <sup>1</sup>	S1133 <sup>1</sup>	up to 46"	K1200 <sup>1</sup> K1203 <sup>1</sup> K1205 <sup>1</sup>								
	SIDE SWING DOORS	up to 46"	U6-2636 (C) <sup>16&amp;b</sup> U6-2639 (C) <sup>16&amp;b</sup>	up to 46"	N/A	up to 46"	S1101 <sup>1</sup>	up to 46"	S1132 <sup>1</sup> S1231 <sup>1</sup>	S1133 <sup>1</sup>	up to 46"	K1200 <sup>1</sup> K1203 <sup>1</sup> K1205 <sup>1</sup>								
	REAR SWING DOORS	up to 46"	U6-2636 (C) <sup>16&amp;b</sup> U6-2639 (C) <sup>16&amp;b</sup>	up to 46"	N/A	up to 46"	S1101 <sup>3&amp;b</sup>	up to 46"	S1132 <sup>15&amp;d</sup> S1231 <sup>15&amp;d</sup>	S1133 <sup>15&amp;d</sup>	up to 46"	K1200 <sup>15&amp;d</sup> K1203 <sup>15&amp;d</sup> K1205 <sup>15&amp;d</sup>								

# APPLICATION CHART USER GUIDE

## RICON LIFTS AND INSTALLATION KITS

### Critical Dimensions For Specifying a Ricon Wheelchair Lift:



- \_\_\_\_\_ A) Clear Horizontal Passage  
The finished (trimmed out) clear horizontal door opening width
- \_\_\_\_\_ B) Clear Vertical Passage  
The finished clear vertical door opening height
- \_\_\_\_\_ C) Floor to Ground Travel  
The maximum distance from the finished vehicle floor to the ground

### Installation Kits: KlearVue, Clearway, UNI-lite, Reliant & Innovator\*

1) 01152	2) 01170	3) 01215	4) 01197	5) 11100	6) 01156	7) 01195
8) 01181	9) 01160	10) 01210	11) 01207	12) 01161	13) 11200	14) 01171
15) 22601	16) 01172	17) 01081	18) 29926	19) 27902	20) 29967	21) 27990
21) 13440	23) 27976					

\*See Application chart model number for corresponding lift/kit match

#### Notes:

- Additional modifications to the kit may be required
- Use installation kit #17 (01081) for units with rear air conditioning option
- Use installation kit #21 (13440) for units with rear air conditioning option
- Slim bumper configuration required

Ricon Corporation reserves the right to discontinue models or options at anytime or change specifications, materials, equipment, or pricing without notice and without incurring obligation.



INNOVATION IN MOBILITY™

RACUG12/03 v.1 © 2003