

**Ricon Application Chart  
Chevy Express Body Style  
1998 and Up**

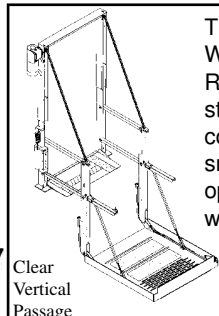


# Ricon Application Chart

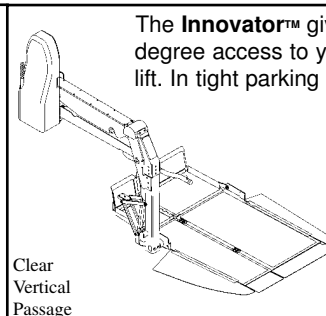
## Lifts for Standard and Modified Vans

1998-2004 Chevy EXPRESS

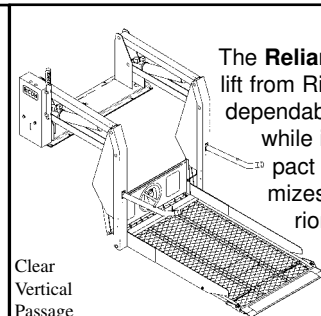
1500 REG. WHEELBASE (ALL WHEEL DRIVE)  
 1500 REG. WHEELBASE  
 2500 REG. WHEELBASE  
 3500 REG. WHEELBASE  
 3500 EXT. WHEELBASE



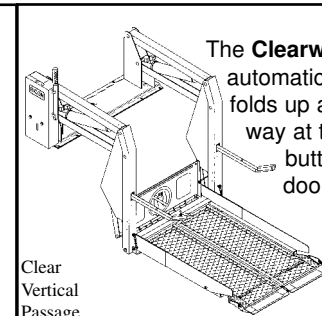
The **UNI-Lite™** Wheelchair Lift from Ricon is lightweight and strong, with its innovative controller it is one of the smoothest and quietest operating lifts in the world.



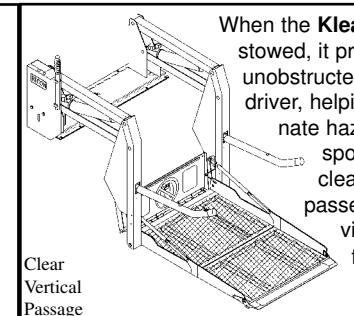
The **Innovator™** gives you 180-degree access to your wheelchair lift. In tight parking situations



The **Reliant™** wheelchair lift from Ricon offers you dependable accessibility while its trim, compact design maximizes valuable interior space.



The **Clearway's™** fully automatic split platform folds up and out of the way at the push of a button, leaving the doorway clear.



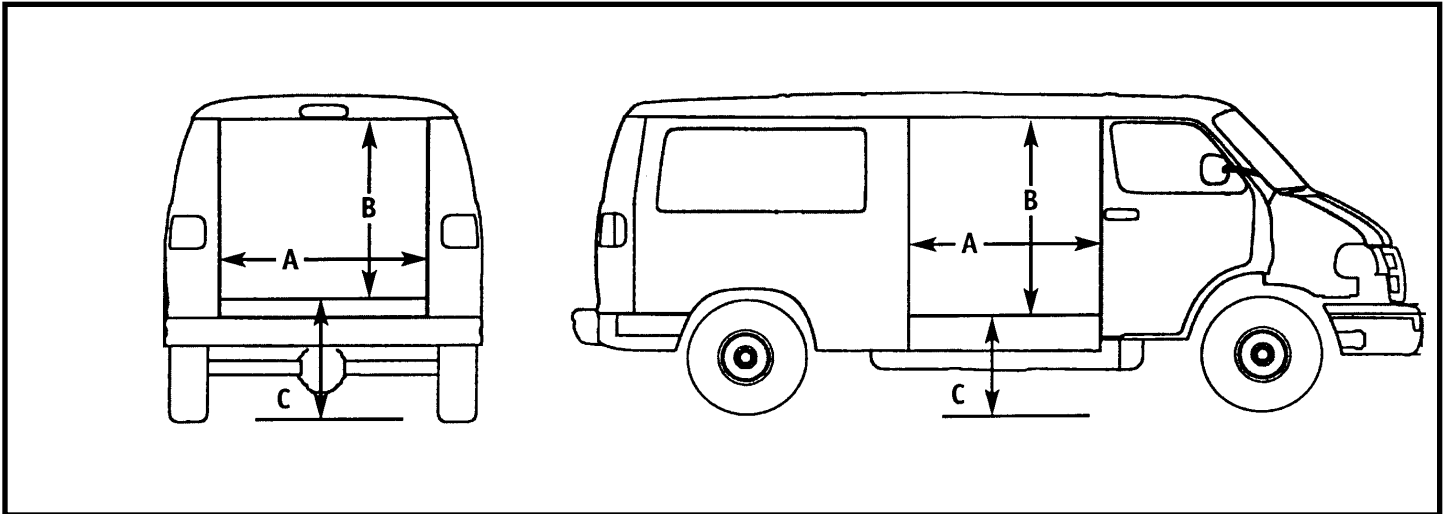
When the **KlearVue™** lift is stowed, it provides an unobstructed view for the driver, helping to eliminate hazardous blind spots, allows a clear view for the passengers, and is virtually unseen from outside.

Configuration	Door Type	Clear Vertical Passage	U6-2636 (C) 16&b U6-2639 (C) 16&b U6-2940 16&b	N/A	S1101 15 S1200 15 S1204 15	S1132 15 S1231 15	S1133 15	K1200 10&15 K1203 10&15 K1205 10&15				
STANDARD FLOOR STANDARD ROOF & DOORS	SIDE SLIDE DOOR	up to 47"	U6-2636 (C) 16&b U6-2639 (C) 16&b U6-2940 16&b	N/A	S1101 15 S1200 15 S1204 15	S1132 15 S1231 15	S1133 15	K1200 10&15 K1203 10&15 K1205 10&15				
	SIDE SWING DOORS	up to 47"	U6-2636 (C) 16&b U6-2639 (C) 16&b U6-2940 16&b	SPL-1 23	S1101 15 S1200 15 S1204 15	S1132 15 S1231 15	S1133 15	K1200 11&15 K1203 11&15 K1205 11&15				
	REAR SWING DOORS	up to 49"	U6-2636 (C) 16&b U6-2639 (C) 16&b U6-2940 16&b	N/A	S1101 15&c S1200 15&c S1204 15&c	S1132 15 S1231 15	S1133 15	K1200 14&15 K1203 14&15 K1205 14&15				
LOWERED FLOOR STANDARD ROOF & DOORS	SIDE SLIDE DOOR	up to 53"	U6-2644 16&b U6-2944 16&b U6-3240 16&b U6-3244 16&b	up to 57" U6-2944 (T) 16&b U6-3240 (T) 16&b U6-3244 (T) 16&b	N/A	up to 57" U6-2944 (T) 16&b U6-3240 (T) 16&b U6-3244 (T) 16&b	up to 53" S1207 15 S1208 15	up to 57" S1203 15 S1205 15	up to 53" S1132 15 S1133 15 S1230 15 S1231 15	up to 57" S1132 15 S1133 15 S1230 15 S1231 15	up to 53" K1200 15 K1203 15 K1205 15	up to 57" K1200 15 K1203 15 K1205 15
	SIDE SWING DOORS	up to 53"	U6-2644 16&b U6-2944 16&b U6-3240 16&b U6-3244 16&b	up to 57" U6-2944 (T) 16&b U6-3240 (T) 16&b U6-3244 (T) 16&b	SPL-1 23	up to 57" U6-2944 (T) 16&b U6-3240 (T) 16&b U6-3244 (T) 16&b	up to 53" S1207 15 S1208 15	up to 57" S1203 15 S1205 15	up to 53" S1132 15 S1133 15 S1230 15 S1231 15	up to 57" S1132 15 S1133 15 S1230 15 S1231 15	up to 53" K1200 15 K1203 15 K1205 15	up to 57" K1200 15 K1203 15 K1205 15
	REAR SWING DOORS	up to 55"	U6-2644 16&b U6-2944 16&b U6-3240 16&b U6-3244 16&b	up to 59" U6-2944 (T) 16&b U6-3240 (T) 16&b U6-3244 (T) 16&b	N/A	up to 59" U6-2944 (T) 16&b U6-3240 (T) 16&b U6-3244 (T) 16&b	up to 55" S1203 15&c S1205 15&c	up to 59" S1203 15&c S1205 15&c	up to 55" S1132 15 S1133 15 S1230 15 S1231 15	up to 59" S1132 15 S1133 15 S1230 15 S1231 15	up to 55" K1200 15 K1203 15 K1205 15	up to 59" K1200 15 K1203 15 K1205 15
LOWERED FLOOR RAISED ROOF & DOORS	SIDE SLIDE DOOR	up to 53"	U6-2644 16&b U6-2944 16&b U6-3240 16&b U6-3244 16&b	up to 57" U6-2944 (T) 16&b U6-3240 (T) 16&b U6-3244 (T) 16&b	N/A	up to 57" U6-2944 (T) 16&b U6-3240 (T) 16&b U6-3244 (T) 16&b	up to 53" S1207 15 S1208 15	up to 57" S1203 15 S1205 15	up to 53" S1132 15 S1133 15 S1230 15 S1231 15	up to 57" S1132 15 S1133 15 S1230 15 S1231 15	up to 53" K1200 15 K1203 15 K1205 15	up to 57" K1200 15 K1203 15 K1205 15
	SIDE SWING DOORS	up to 53"	U6-2644 16&b U6-2944 16&b U6-3240 16&b U6-3244 16&b	up to 57" U6-2944 (T) 16&b U6-3240 (T) 16&b U6-3244 (T) 16&b	SPL-1 23	up to 57" U6-2944 (T) 16&b U6-3240 (T) 16&b U6-3244 (T) 16&b	up to 53" S1207 15 S1208 15	up to 57" S1203 15 S1205 15	up to 53" S1132 15 S1133 15 S1230 15 S1231 15	up to 57" S1132 15 S1133 15 S1230 15 S1231 15	up to 53" K1200 15 K1203 15 K1205 15	up to 57" K1200 15 K1203 15 K1205 15
	REAR SWING DOORS	up to 55"	U6-2644 16&b U6-2944 16&b U6-3240 16&b U6-3244 16&b	up to 59" U6-2944 (T) 16&b U6-3240 (T) 16&b U6-3244 (T) 16&b	N/A	up to 59" U6-2944 (T) 16&b U6-3240 (T) 16&b U6-3244 (T) 16&b	up to 55" S1203 15&c S1205 15&c	up to 59" S1203 15&c S1205 15&c	up to 55" S1132 15 S1133 15 S1230 15 S1231 15	up to 59" S1132 15 S1133 15 S1230 15 S1231 15	up to 55" K1200 15 K1203 15 K1205 15	up to 59" K1200 15 K1203 15 K1205 15
STANDARD FLOOR RAISED ROOF & DOORS	SIDE SLIDE DOOR	up to 53"	U6-2644 16&b U6-2944 16&b U6-3240 16&b U6-3244 16&b	up to 57" U6-2944 (T) 16&b U6-3240 (T) 16&b U6-3244 (T) 16&b	N/A	up to 57" U6-2944 (T) 16&b U6-3240 (T) 16&b U6-3244 (T) 16&b	up to 53" S1207 15 S1208 15	up to 57" S1203 15 S1205 15	up to 53" S1132 15 S1133 15 S1230 15 S1231 15	up to 57" S1132 15 S1133 15 S1230 15 S1231 15	up to 53" K1200 10 K1203 10 K1205 10	up to 57" K1200 10 K1203 10 K1205 10
	SIDE SWING DOORS	up to 53"	U6-2644 16&b U6-2944 16&b U6-3240 16&b U6-3244 16&b	up to 57" U6-2944 (T) 16&b U6-3240 (T) 16&b U6-3244 (T) 16&b	SPL-1 23	up to 57" U6-2944 (T) 16&b U6-3240 (T) 16&b U6-3244 (T) 16&b	up to 53" S1207 15 S1208 15	up to 57" S1203 15 S1205 15	up to 53" S1132 15 S1133 15 S1230 15 S1231 15	up to 57" S1132 15 S1133 15 S1230 15 S1231 15	up to 53" K1200 11 K1203 11 K1205 11	up to 57" K1200 11 K1203 11 K1205 11
	REAR SWING DOORS	up to 55"	U6-2644 16&b U6-2944 16&b U6-3240 16&b U6-3244 16&b	up to 59" U6-2944 (T) 16&b U6-3240 (T) 16&b U6-3244 (T) 16&b	N/A	up to 59" U6-2944 (T) 16&b U6-3240 (T) 16&b U6-3244 (T) 16&b	up to 55" S1203 15&c S1205 15&c	up to 59" S1203 15&c S1205 15&c	up to 55" S1132 15 S1133 15 S1230 15 S1231 15	up to 59" S1132 15 S1133 15 S1230 15 S1231 15	up to 55" K1200 15 K1203 15 K1205 15	up to 59" K1200 15 K1203 15 K1205 15
LOWERED FLOOR RAISED ROOF- STANDARD DOORS	SIDE SLIDE DOOR	up to 53"	U6-2644 16&b U6-2944 16&b U6-3240 16&b U6-3244 16&b	up to 57" U6-2944 (T) 16&b U6-3240 (T) 16&b U6-3244 (T) 16&b	N/A	up to 57" U6-2944 (T) 16&b U6-3240 (T) 16&b U6-3244 (T) 16&b	up to 53" S1207 15 S1208 15	up to 57" S1203 15 S1205 15	up to 53" S1132 15 S1133 15 S1230 15 S1231 15	up to 57" S1132 15 S1133 15 S1230 15 S1231 15	up to 53" K1200 15 K1203 15 K1205 15	up to 57" K1200 15 K1203 15 K1205 15
	SIDE SWING DOORS	up to 53"	U6-2644 16&b U6-2944 16&b U6-3240 16&b U6-3244 16&b	up to 57" U6-2944 (T) 16&b U6-3240 (T) 16&b U6-3244 (T) 16&b	SPL-1 23	up to 57" U6-2944 (T) 16&b U6-3240 (T) 16&b U6-3244 (T) 16&b	up to 53" S1207 15 S1208 15	up to 57" S1203 15 S1205 15	up to 53" S1132 15 S1133 15 S1230 15 S1231 15	up to 57" S1132 15 S1133 15 S1230 15 S1231 15	up to 53" K1200 15 K1203 15 K1205 15	up to 57" K1200 15 K1203 15 K1205 15
	REAR SWING DOORS	up to 55"	U6-2644 16&b U6-2944 16&b U6-3240 16&b U6-3244 16&b	up to 59" U6-2944 (T) 16&b U6-3240 (T) 16&b U6-3244 (T) 16&b	N/A	up to 59" U6-2944 (T) 16&b U6-3240 (T) 16&b U6-3244 (T) 16&b	up to 55" S1203 15&c S1205 15&c	up to 59" S1203 15&c S1205 15&c	up to 55" S1132 15 S1133 15 S1230 15 S1231 15	up to 59" S1132 15 S1133 15 S1230 15 S1231 15	up to 55" K1200 15 K1203 15 K1205 15	up to 59" K1200 15 K1203 15 K1205 15
STANDARD FLOOR RAISED ROOF- STANDARD DOORS	SIDE SLIDE DOOR	up to 47"	U6-2636 (C) 16&b U6-2639 (C) 16&b U6-2940 16&b	N/A	S1101 15 S1200 15 S1204 15	S1132 15 S1231 15	S1133 15	K1200 15 K1203 15 K1205 15				
	SIDE SWING DOORS	up to 47"	U6-2636 (C) 16&b U6-2639 (C) 16&b U6-2940 16&b	SPL-1 23	S1101 15 S1200 15 S1204 15	S1132 15 S1231 15	S1133 15	K1200 15 K1203 15 K1205 15				
	REAR SWING DOORS	up to 49"	U6-2636 (C) 16&b U6-2639 (C) 16&b U6-2940 16&b	N/A	S1101 15&c S1200 15&c S1204 15&c	S1132 15 S1231 15	S1133 15	K1200 15 K1203 15 K1205 15				

# APPLICATION CHART USER GUIDE

## RICON LIFTS AND INSTALLATION KITS

### Critical Dimensions For Specifying a Ricon Wheelchair Lift:



- \_\_\_\_\_ A) Clear Horizontal Passage  
The finished (trimmed out) clear horizontal door opening width
- \_\_\_\_\_ B) Clear Vertical Passage  
The finished clear vertical door opening height
- \_\_\_\_\_ C) Floor to Ground Travel  
The maximum distance from the finished vehicle floor to the ground

### Installation Kits: KlearVue, Clearway, UNI-lite, Reliant & Innovator\*

1) 01152	2) 01170	3) 01215	4) 01197	5) 11100	6) 01156	7) 01195
8) 01181	9) 01160	10) 01210	11) 01207	12) 01161	13) 11200	14) 01171
15) 22601	16) 01172	17) 01081	18) 29926	19) 27902	20) 29967	21) 27990
21) 13440	23) 27976					

\*See Application chart model number for corresponding lift/kit match

#### Notes:

- Additional modifications to the kit may be required
- Use installation kit #17 (01081) for units with rear air conditioning option
- Use installation kit #21 (13440) for units with rear air conditioning option
- Slim bumper configuration required

Ricon Corporation reserves the right to discontinue models or options at anytime or change specifications, materials, equipment, or pricing without notice and without incurring obligation.



INNOVATION IN MOBILITY™

RACUG12/03 v.1 © 2003