

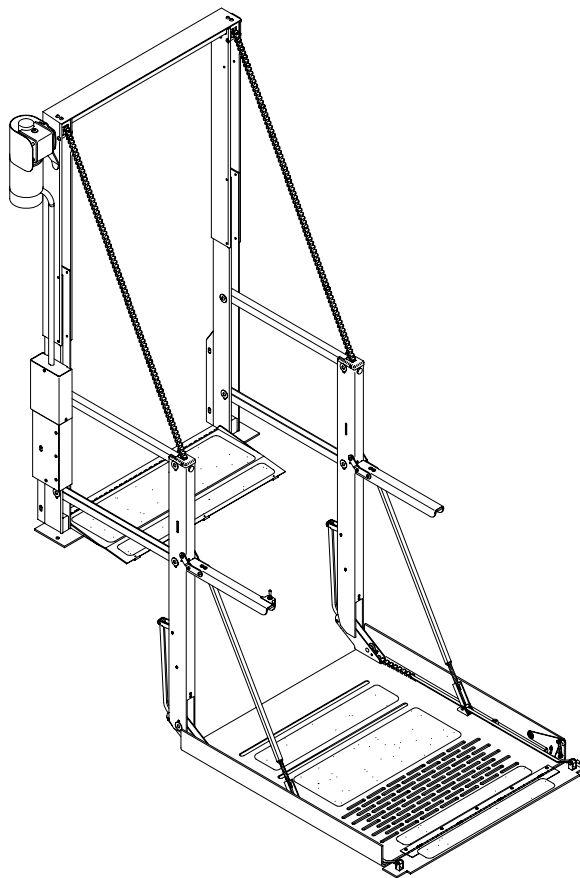


***UNI-lite<sup>®</sup>***  
***DOT Private Use***  
***Wheelchair Lift***

*-TABLE OF CONTENTS-*

*-HOME-*

*-PRINT ENTIRE MANUAL-*



**Service Manual**

