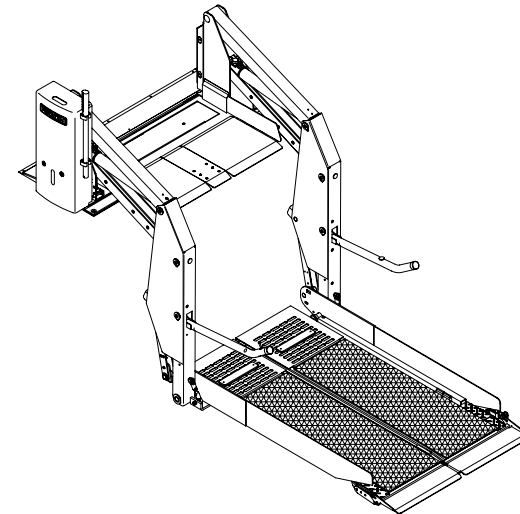




SLIDE-AWAY[®] Export Use Wheelchair and Standee Lift

[-PRINT ENTIRE MANUAL-](#)

[-TABLE OF CONTENTS-](#)



Operator Manual



02-24-11

32DSW03.C.1

©2011 RICON CORPORATION
All Rights Reserved

U.S. Patent Nos: 4,534,450; 5,308,215; 5,445,488; 5,605,431; 5,944,473
Australian Patent No: 687,066 Canadian Patent No: 1,245,603
Other U.S. and foreign patents pending.
Printed in the United States of America