



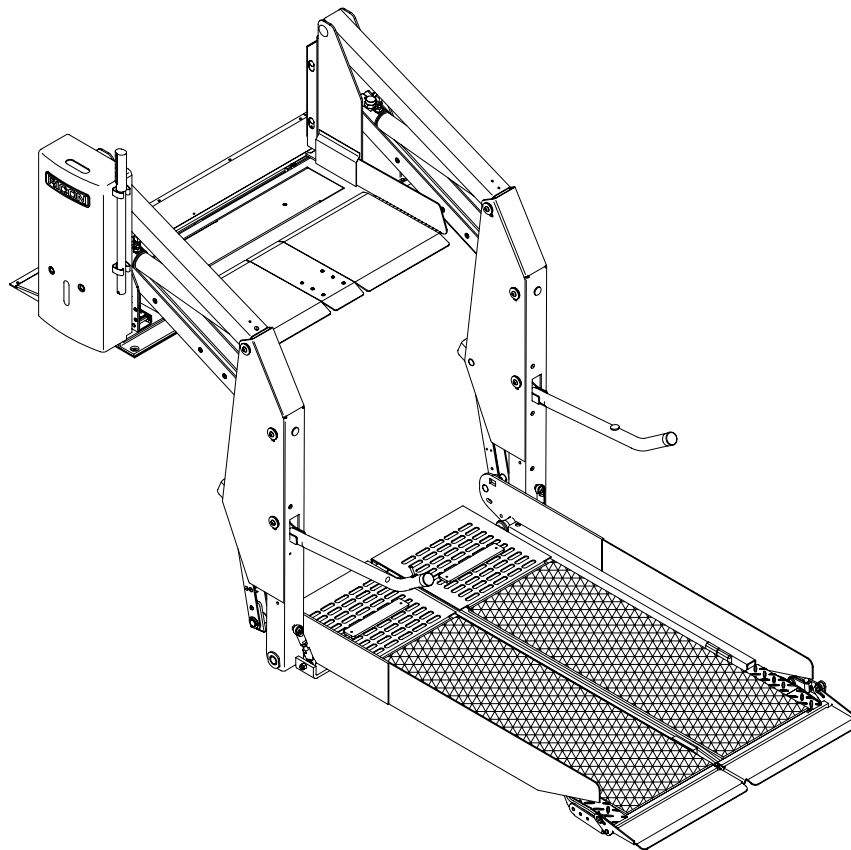
SLIDE-AWAY®

Personal Use Wheelchair Lift DOT – Private Use Lift

-Print Entire Manual-

-Table Of Contents-

- Spare Parts-



Service Manual

