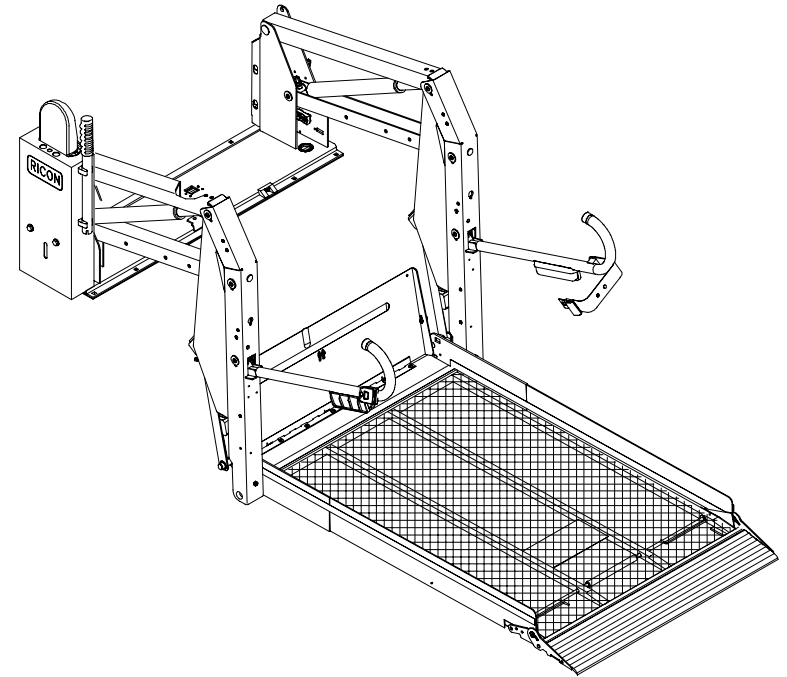




Ricon[®]
A **Wabtec** company

S-Series[®] DOT - Public Use Lift



[-PRINT ENTIRE MANUAL-](#)

[-TABLE OF CONTENTS-](#)

OPERATOR MANUAL

10/10/11

32DSST03.C

©2011 RICON CORPORATION

Printed in the United States of America

[-HOME-](#)

All Rights Reserved

U.S. Patent Nos: 5,228,538; 5,308,215; 5,373,915; 5,445,488; 5,605,431; 5,944,473

Australian Patent Nos: 661127; 687066 Canadian Patent No: 2,129,821

German Patent No: EP 0625896 B1 U.K. Patent No: EP 0625896 B1

Other U.S. and foreign patents pending.

