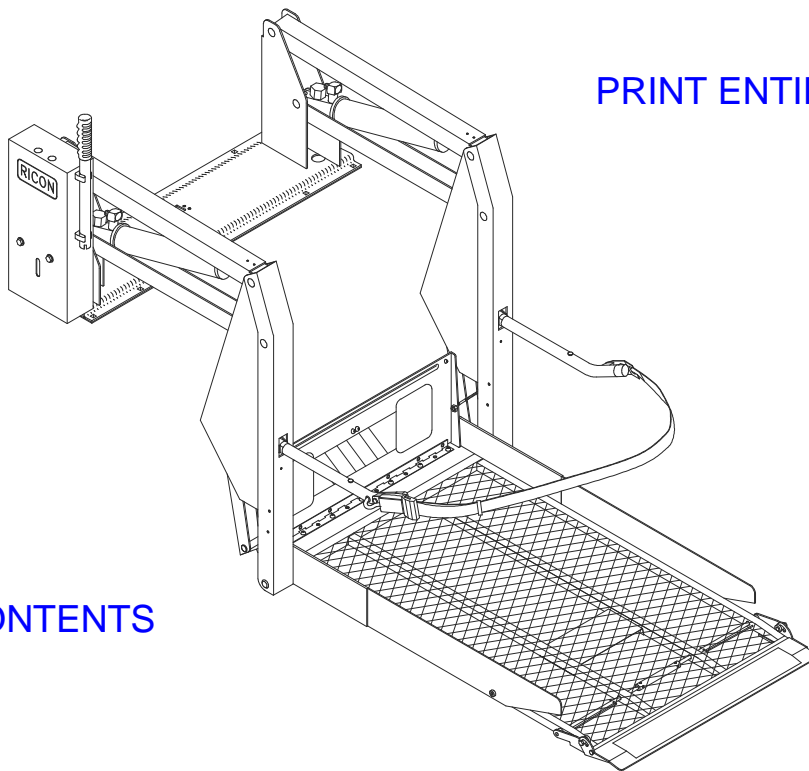




INNOVATION IN MOBILITY™

S-Series™
Transit Use
Wheelchair Lift

[PRINT ENTIRE MANUAL](#)



[TABLE OF CONTENTS](#)

SERVICE MANUAL

06/04/04

32DSST02.C

©92-2004 RICON CORPORATION
All Rights Reserved

U.S. Patent Nos: 4,534,450; 5,308,215; 5,445,488; 5,605,431; 5,944,473;
Australia Patent Nos: 661127;687066;
Canadian Patent Nos: 1,245,603; 2,168,761
Other U.S. and foreign patents pending

Printed in the
United States of America