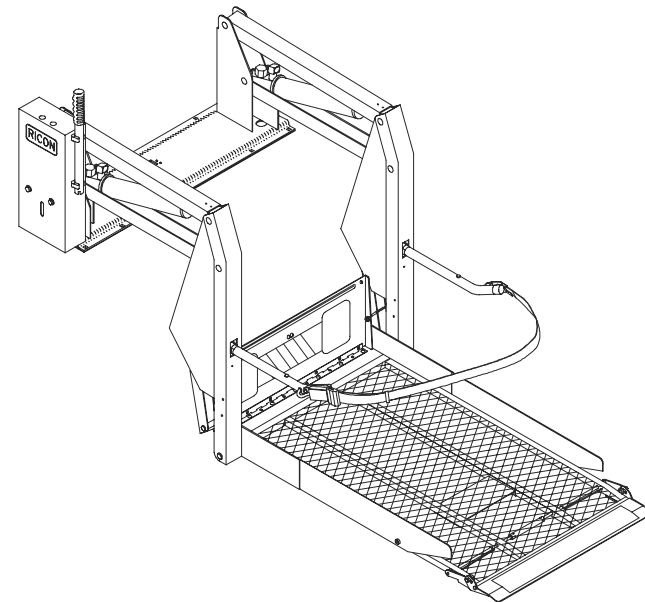




Ricon®

A **Wabtec** company

S-Series®
Transit Use (ADA)
Wheelchair and Standee Lift



[-PRINT ENTIRE MANUAL-](#)

[-TABLE OF CONTENTS-](#)

Operator Manual

10/10/11

Printed in the United States of America

32DSS01.C

[-HOME-](#)

©2011 RICON CORPORATION

All Rights Reserved



U.S. Patent Nos: 5,228,538; 5,308,215; 5,373,915; 5,445,488; 5,605,431; 5,944,473

Australian Patent Nos: 661127; 687066

Canadian Patent No: 2,129,821

German Patent No: EP 0625896 B1

U.K. Patent No: EP 0625896 B1

Other U.S. and foreign patents pending.