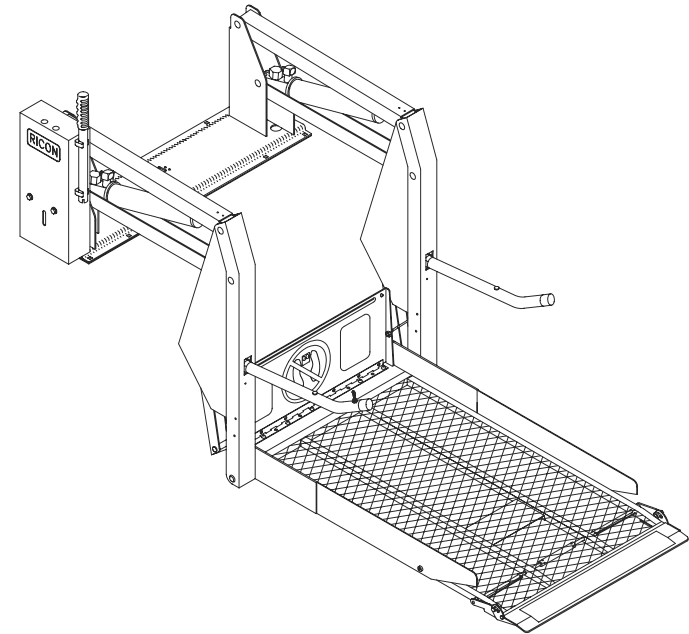




S-Series® Personal Use Lift



[-PRINT ENTIRE MANUAL-](#)

[-TABLE OF CONTENTS-](#)

Operator Manual

10/15/11

32DSSP01.B
-HOME-

©2011 RICON CORPORATION
All Rights Reserved



U.S. Patent Nos: 4,534,450; 5,308,215; 5,445,488; 5,605,431; 5,944,473
Australian Patent No: 661,127; 687,066 Canadian Patent No: 1,245,603; 2,168,761
Other U.S. and foreign patents pending.
Printed in the United States of America