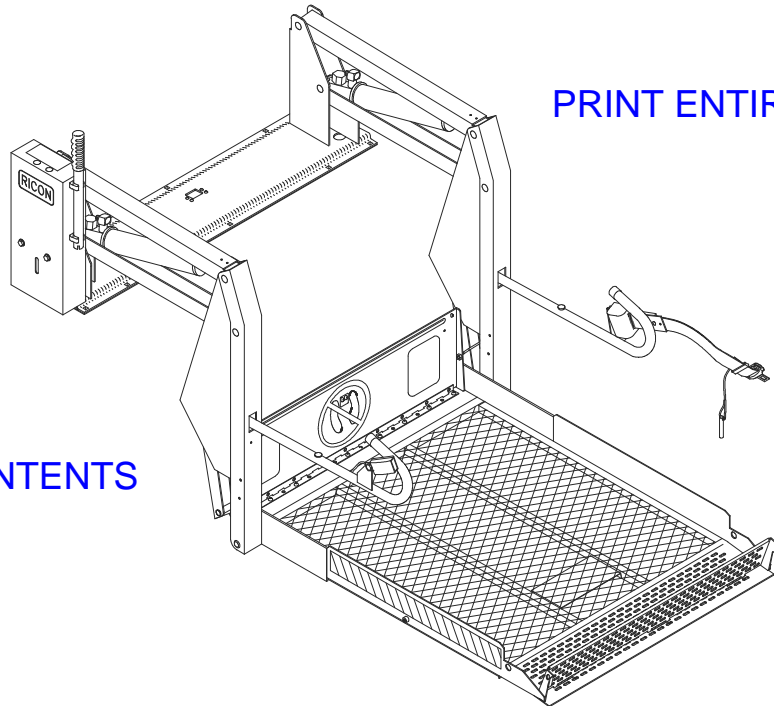




*INNOVATION IN MOBILITY™*

***S-Series™***  
***ADA Transit Use***  
***Wheelchair and Standee Lift***  
***with Manual Rollstop***



[PRINT ENTIRE MANUAL](#)

[TABLE OF CONTENTS](#)

# Service Manual

06/04/04

32DSSM02.C

©92-2004 RICON CORPORATION  
All Rights Reserved

U.S. Patent Nos: 4,534,450; 5,308,215; 5,445,488; 5,605,431; 5,944,473;  
Australia Patent Nos: 661127; 687066;  
Canadian Patent Nos: 1,245,603; 2,168,761  
Other U.S. and foreign patents pending  
Printed in the United States of America