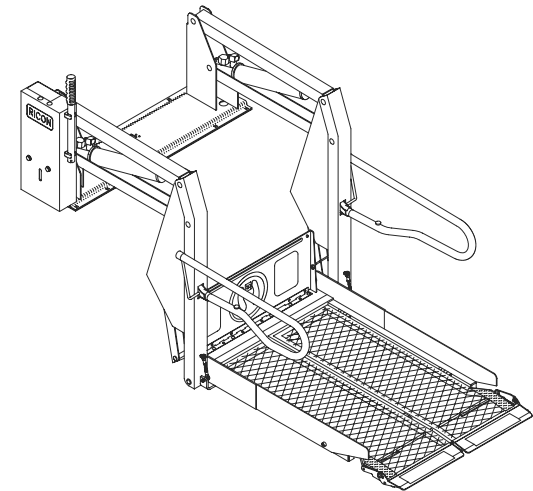




# S-Series Export Use™ Wheelchair and Standee Lift with Folding Platform

[-PRINT ENTIRE MANUAL-](#)

[-TABLE OF CONTENTS-](#)



## Operator Manual

07/07/10

32DSSE01.B

©1994-2010 RICON CORPORATION

All Rights Reserved



U.S. Patent Nos: 4,534,450; 5,308,215; 5,445,488; 5,605,431; 5,944,473

Australian Patent No: 687,066 Canadian Patent No: 1,245,603

Other U.S. and foreign patents pending.

Printed in the United States of America