



Ricon®

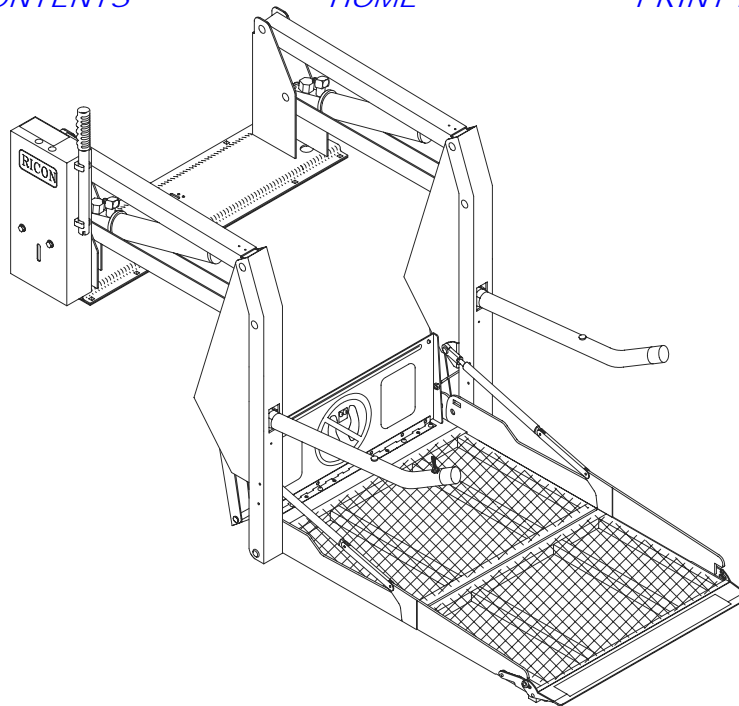
A Wabtec company

KlearVue™
K-Series® Folding Platform
Personal and Transit Use
Wheelchair Lift

[TABLE OF CONTENTS](#)

[HOME](#)

[PRINT ENTIRE MANUAL](#)



Service Manual