

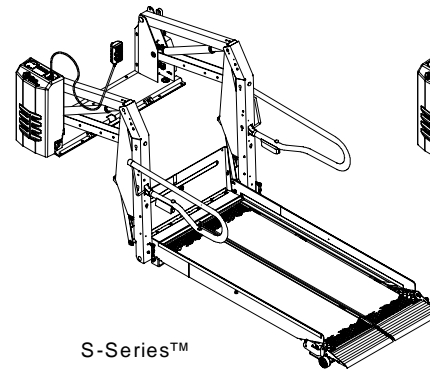


Ricon[®]
A **Wabtec** company

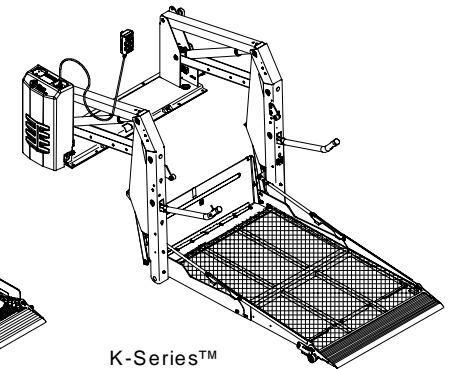
S-SERIES™ AND K-SERIES™
Export Use
Wheelchair and Standee Lift
with Folding Platform

-PRINT ENTIRE MANUAL-

-TABLE OF CONTENTS-



S-Series™



K-Series™

Operator Manual

04/12/10

32DSKE01.C

©2010 RICON CORPORATION
All Rights Reserved



U.S. Patent Nos: 4,534,450; 5,228,538; 5,308,215; 5,373,915; 5,445,488; 5,605,431; 5,944,473
Australian Patent No: 661127; 687,066 Canadian Patent No: 1,245,603
German and U.K. EP0625896B1
Other U.S. and foreign patents pending.
Printed in the United States of America