



*Innovation in Mobility*

**R1208**  
***Six-Way Power Seat Base***

**PRINT**

**Operator Manual**



**This RICON product must be installed and serviced by authorized RICON service technicians.**

**The operator must refer to this manual for operating instructions, then retain it for future reference.**

Customer Name: \_\_\_\_\_  
Installing Dealer: \_\_\_\_\_  
Date Installed: \_\_\_\_\_  
Serial Number: \_\_\_\_\_

## REVISION RECORD

REVISION	PAGES	DESCRIPTION OF CHANGE	ECR/ECO
32DSB01. A	ALL	Initial Release	/4901

## TABLE OF CONTENTS

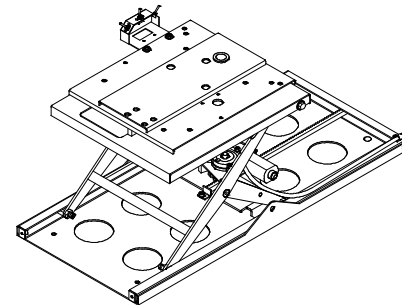
---

<i>Chapter:</i>	<i>Page</i>
<b>I. INTRODUCTION .....</b>	<b>1-1</b>
A. RICON ONE-YEAR LIMITED WARRANTY .....	1-1
B. SHIPMENT INFORMATION .....	1-3
C. GENERAL SAFETY PRECAUTIONS .....	1-3
D. PRODUCT TERMINOLOGY .....	1-4
<b>II. OPERATING INSTRUCTIONS .....</b>	<b>2-1</b>
A. SAFETY PRECAUTIONS .....	2-1
B. DAILY SAFETY CHECK.....	2-1
C. POWER SEAT BASE OPERATION .....	2-2
1. CONTROLS AND FUNCTIONS .....	2-2
2. OPERATING POWER SEAT BASE .....	2-3
<b>III. MAINTENANCE AND TROUBLESHOOTING.....</b>	<b>3-1</b>
A. MAINTENANCE SCHEDULE .....	3-1
B. TROUBLESHOOTING GUIDE .....	3-1

## I. INTRODUCTION

---

The RICON R1208 Six-Way Power Seat Base helps transfer a person from a wheelchair to a vehicle seat. The Power Seat Base provides 13.5" (34.3 centimeters) of front-to-rear travel, 9" (22.9 centimeters) of height travel, 90E of right and 82E of left-swivel from the straight ahead position to the transfer position. The Power Seat Base adapts to the factory seat and swivels off-center to provide maximum clearance between the driver's seat back and the vehicle wall. It incorporates a scissor-arm mechanism for elevation and has a lifting capacity of 300 pounds (136 kilograms).



Because of the selectable design, the Power Seat Base can be installed at either a driver or passenger seat position. By using the fingertip control toggle switches, the user swivels the Power Seat Base inboard and then raises it to the transfer position. After the user has transferred to the Power Seat Base, it is swivelled to the straight ahead position, lowered, and moved to the forward-most position.

This manual contains operating, maintenance and troubleshooting instructions for the Power Seat Base. For installation instructions, please refer to the service manual. It is important that the Ricon sales/service staff be completely familiar with the Operating Instructions section of this manual to demonstrate and explain the proper use of the product to the user. Once the Power Seat Base is installed, it is very important that it be properly maintained by following the Ricon recommended cleaning, lubrication, and inspection instructions.

If there are questions about this manual, or additional copies are needed, please contact Ricon Product Support at one of the following locations:

**Ricon Corporation**  
7900 Nelson Road  
Panorama City, CA 91402.....(818) 267-3000  
Outside (818) Area Code .....(800) 322-2884  
World Wide Website ..... [www.riconcorp.com](http://www.riconcorp.com)

---

**Ricon U.K. Ltd.**  
Littlemoss Business Park, Littlemoss Road  
Droylsden, Manchester  
United Kingdom, M43 7EF .....(+ 44) 161 301 6000

A. RICON ONE-YEAR LIMITED WARRANTY (refer to following page)

**RICON CORPORATION**  
**ONE-YEAR LIMITED WARRANTY**

**Ricon Corporation (Ricon)** warrants to the original purchaser of this product that Ricon will repair or replace, at its option, any parts that fail by reason of defective material or workmanship as follows:

- Repair or replace parts for a period of one year from date of purchase. A complete list of parts covered by this warranty can be obtained from an authorized Ricon dealer.

**If You Need to Return a Product:** Return this Ricon product to the installing dealer. Please give as much advance notice as possible and allow a reasonable amount of time for repairs.

**If You are Traveling:** All authorized Ricon dealers honor this warranty. Consult a telephone directory or call our Product Support for the name of the nearest authorized Ricon dealer.

**This Warranty does not Cover:**

- Labor or service charges (these may be covered separately by the installing dealer).
- Malfunction or damage to product parts caused by accident, misuse, lack of proper maintenance, neglect, improper adjustment, modification, alteration, the mechanical condition of vehicle, road hazards, overloading, failure to follow operating instructions, or acts of Nature (i.e., weather, lightning, flood).

**Note:** Ricon recommends that this product be inspected by an authorized Ricon service technician at least once every six months, or sooner if necessary. Any required maintenance should be performed at that time.

**This Warranty is Void if:**



**THIS PRODUCT HAS BEEN DESIGNED AND MANUFACTURED TO EXACT SPECIFICATIONS. MODIFICATION OF THIS PRODUCT IN ANY RESPECT CAN BE DANGEROUS.**

- The product has been installed or maintained by someone other than an authorized Ricon service technician.
- The product has been modified or altered in any respect from its original design without written authorization by Ricon.

**Ricon disclaims liability for any personal injury or property damage that results from operation of a Ricon product that has been modified from the original Ricon design. No person or company is authorized to change the design of this Ricon product without written authorization by Ricon.**

**Ricon's obligation under this warranty is exclusively limited to the repair or exchange of parts that fail within the applicable warranty period.**

**Ricon assumes no responsibility for expenses or damages, including incidental or consequential damages. Some states do not allow the exclusion or limitation of incidental or consequential damages, so the above limitation or exclusion may not apply.**

**Important: The warranty registration card must be completed and returned to Ricon within 20 days after installation of this Ricon product for the warranty to be valid. The warranty is not transferable.**

**The warranty gives specific legal rights, and there may be other rights that vary from state to state.**

## B. SHIPMENT INFORMATION

Ricon does not sell directly to the user because of the specialized nature of the product. Instead, the product is distributed through the worldwide network of authorized Ricon service technicians, who perform the actual sale and installation.

- When the product is received, check the **Shock Indicator** on shipping box, unpack the product and check for freight damage. Claims for any damage should be made to the carrier immediately.
- Be sure the installation kit contains all items listed on the kit packing list. Please report any missing items immediately to the Ricon Product Support Department. The warranty and owner's registration cards must be completed and returned to Ricon within 20 days for the warranty to be valid.

NOTE: The Sales/Service Personnel must review the Warranty and this Operator Manual with the user to be certain that they understand the safe operation of the product. Instruct the user to follow the operating instructions without exception.

## C. GENERAL SAFETY PRECAUTIONS

The following general safety precautions must be followed during installation, operation, service and maintenance:

- To avoid injury, always exercise caution when operating and be certain that hands, feet, legs, and clothing are not in the path of product movement.
- Read and thoroughly understand the operating instructions before attempting to operate.
- Inspect the product before each use. If an unsafe condition, unusual noises or movements exist, do not use it until the problem is corrected.
- Keep others clear during operation.
- The product requires regular periodic maintenance. A thorough inspection is recommended at least once every six months. The product must always be maintained at the highest level of performance.

#### D. PRODUCT TERMINOLOGY

Component references used through out this manual are illustrated in **Figure 1-1** and defined in **Table 1-1**. Refer to the Power Seatbase **Service Manual, Chapter IV** for more details.

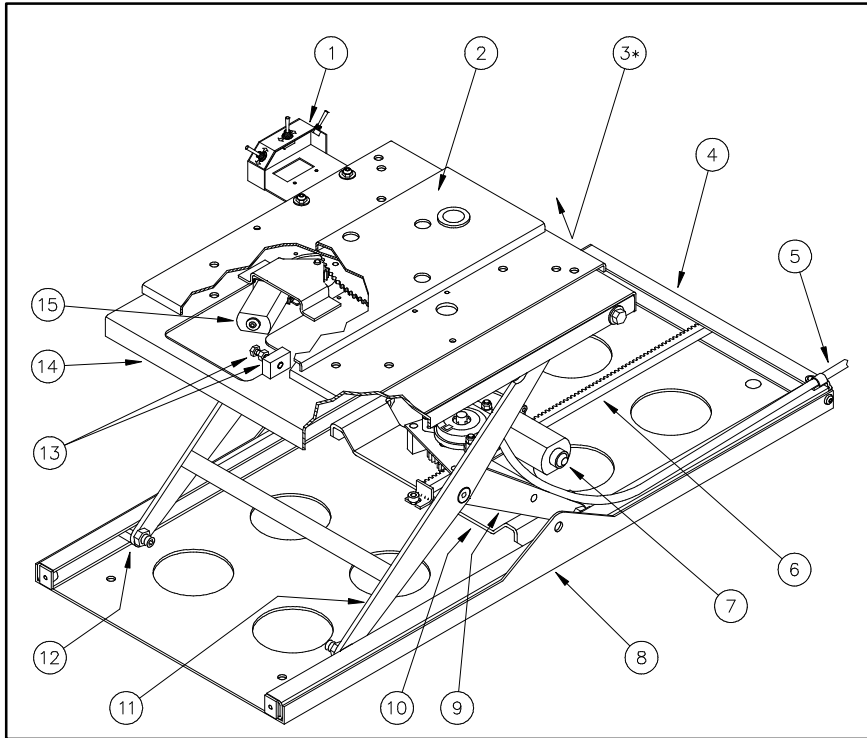


FIGURE 1-1: R1208 SIX-WAY POWER SEAT BASE



TABLE 1-1: POWER SEAT BASE TERMINOLOGY	
REF.	DESCRIPTION
1	Control Box Assembly (contains function control toggle switches)
2	Swivel Plate
3 *	Scissor Actuator Assembly (up & down motor assembly)
4	Rear Frame Channel
5	Power Seat Base Harness (electrical)
6	Rack Gear Assembly
7	Horizontal Motor (forward & reverse)
8	Base Frame
9	Inner Scissor Assembly
10	Horizontal Drive Plate
11	Outer Scissor Assembly
12	Slide Bearing
13	Swivel Adjustment Stop (with bolt & locknut)
14	Upper Frame Assembly
15	Swivel Motor
* Item not shown.	
<b>END OF TABLE</b>	

## II. OPERATING INSTRUCTIONS

This chapter contains operating instructions for the RICON Six-Way Power Seat Base. These instructions must be thoroughly understood by the operator and/or attendant before attempting to operate the Power Seat Base.

### A. SAFETY PRECAUTIONS

The following safety precautions must be complied with when operating the Power Seat Base:

- Refer to **Figure 2-1**. A dangerous situation may exist when using the Power Seat Base if the vehicle is parked on either a side or front-to-rear slope. Always operate the Power Seat Base with the vehicle parked on level ground.

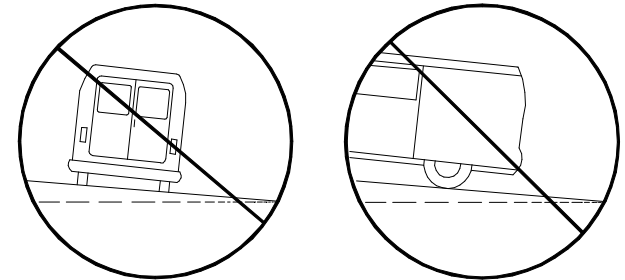


FIGURE 2-1: UNSAFE VEHICLE SLOPING

- Vehicle must be safely parked, with the engine turned off, before using the Power Seat Base.
- Inspect the Power Seat Base prior to each use. If unusual noises or movements exist, DO NOT use and contact an authorized Ricon service agent for repair.
- Do not operate with a load in excess of 300 lbs. (136 kg).
- Do not place arms, legs, or clothing in or near moving parts.
- Keep others clear while operating.
- Do not allow an untrained person to operate.
- Exercise supervision if used by or near children.

Be sure that these safety precautions have been read and understood. Review them periodically, and ask any attendants or other operators to read them as well. If there are any questions, contact an authorized Ricon service agent or call the Ricon Product Support Department.


### B. DAILY SAFETY CHECK

Inspect the Power Seat Base prior to each use and check that the following conditions are met before operating:

- All functions operate properly. If unusual noises or movements exist, DO NOT use and contact an authorized Ricon service agent for repair.
- No objects that may interfere with operation are present.

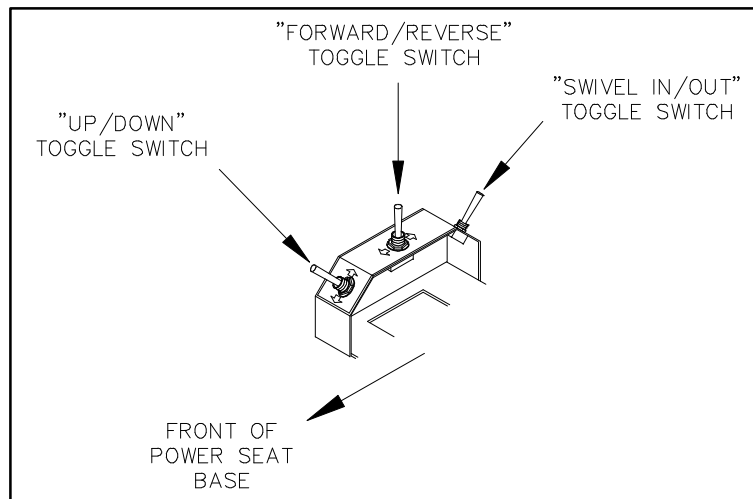
### C. POWER SEAT BASE OPERATION

For the descriptions of the Power Seat Base controls, functions and operating instructions, refer to the following sections:

 <b>WARNING!</b>	
1. IMPROPER USE OF THE POWER SEAT BASE CAN RESULT IN PERSONAL INJURY. USERS MUST READ AND FOLLOW THE OPERATING INSTRUCTIONS. ADDITIONAL COPIES OF THE OPERATOR MANUAL ARE AVAILABLE FROM: <p style="text-align: center;"><b>RICON CORPORATION</b> 7900 Nelson Road Panorama City, Ca. 91402 (818) 267-3000 OR (800) 322-2884</p>	
2. DO NOT EXCEED THE RATED LOAD OF 300 LBS. (136 KG).	
3. PRIOR TO USE, INSPECT THE POWER SEAT BASE FOR PROPER FUNCTION, DAMAGE AND CURRENT MAINTENANCE. IF A PROBLEM EXISTS, DO NOT USE THE POWER SEAT BASE AND CONTACT AN AUTHORIZED RICON SERVICE TECHNICIAN FOR REPAIR.	
RICON CORPORATION DISCLAIMS LIABILITY FOR DAMAGE OR PERSONAL INJURY RESULTING FROM IMPROPER INSTALLATION, MODIFICATION TO THE POWER SEAT BASE, LACK OF MAINTENANCE OR REPAIR, NEGLIGENCE, ABUSE OR FAILURE TO FOLLOW OPERATING INSTRUCTIONS.	

#### 1. CONTROLS AND FUNCTIONS

Refer to **Figures 2-2** and **2-3**. The Power Seat Base is operated by three (3) toggle switches located on the Control Box Assembly. All of the switches are spring-loaded, double-acting to operate the desired functions, up/down, forward/reverse, and swivel in/out. The switches are engaged until motion stops because the functions are designed to stall at maximum travel. Make sure that the operator is familiar with each toggle switch function before using the Power Seat Base.



**FIGURE 2-2: CONTROL BOX ASSEMBLY**

## 2. OPERATING POWER SEAT BASE

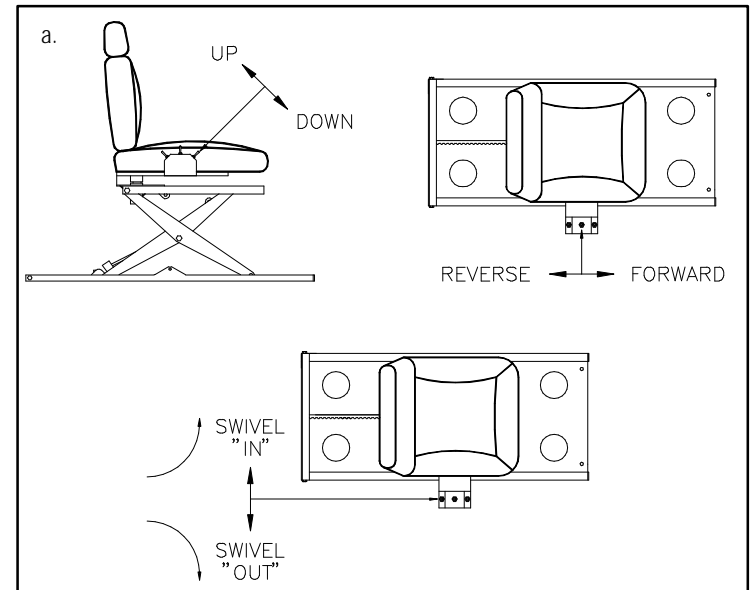


FIGURE 2-3: POWER SEAT BASE FUNCTIONS



**WARNING!**

**DO NOT PLACE ARMS, LEGS, OR CLOTHING IN OR NEAR MOVING PARTS.**

- a. To Transfer from Wheelchair to Seat
  - ◆ Press and hold the "Swivel In/Out" and "Up/Down" toggle switches until the seat reaches a position parallel to and slightly lower than the wheelchair. **LOCK WHEELCHAIR BRAKES** and transfer into the seat.
  - ◆ After the transfer is complete, press and hold the "Swivel In/out" toggle switch to rotate the seat to a face-forward position.
- b. To Transfer from Seat to Wheelchair
  - ◆ Press and hold the "Forward/Reverse" toggle switch to move the seat completely back, then the "Swivel In/Out" toggle switch to rotate the seat into the transfer position parallel to the wheelchair, and finally the "Up/Down" toggle switch to position the seat slightly higher than the wheelchair. **LOCK WHEELCHAIR BRAKES** and transfer into wheelchair.

### III. MAINTENANCE

Regular maintenance of the RICON R1208 Six-Way Power Seat Base will provide optimum performance in addition to reducing the need for repairs. Ricon products are highly specialized and maintenance must be performed by an authorized Ricon service technician using Ricon replacement parts. Maintenance inspections are required at least every six months.

#### A. MAINTENANCE SCHEDULE

TABLE 3-1: SIX-MONTH SAFETY CHECK	
All pivot points and fasteners for tightness.	Tighten as needed
Inside rails on upper frame and base frame assemblies.	Apply light oil as needed
Scissor actuator assembly (up/down motor ball and screw).	Apply light oil as needed
Harness (electrical) for contact with moving or hot vehicle parts.	Adjust as needed
Slide bearings in lower and upper rails for wear.	Replace if needed
Bronze bearing at swivel plate for wear.	Replace if needed
Rack gear assembly for wear.	Replace if required
END OF TABLE	