



Innovation in Mobility

R1250
Power Parking Brake

[PRINT](#)

Operator Manual

This RICON product must be installed and serviced by authorized RICON service technicians.

The operator must refer to this manual for operating instructions, then retain it for future reference.

Customer Name: _____
Installing Dealer: _____
Date Installed: _____
Serial Number: _____

REVISION RECORD

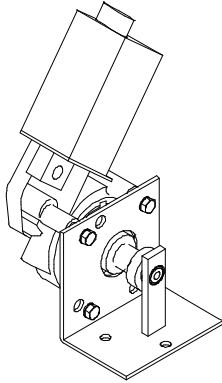
REVISION	PAGES	DESCRIPTION OF CHANGE	ECR/ECO
32DPPB01. A	ALL	Initial Release	/4901

TABLE OF CONTENTS

<i>Chapter:</i>	<i>Page</i>
I. INTRODUCTION	1-1
A. RICON ONE-YEAR LIMITED WARRANTY	1-1
B. SHIPMENT INFORMATION	1-3
C. GENERAL SAFETY PRECAUTIONS	1-3
D. PRODUCT TERMINOLOGY	1-4
II. OPERATING INSTRUCTIONS	2-1
A. SAFETY PRECAUTIONS	2-1
B. DAILY SAFETY CHECK	2-1
C. CONTROLS AND INDICATORS	2-1
1. CONTROL SWITCH	2-1
2. CIRCUIT BREAKER	2-2
D. POWER PARKING BRAKE OPERATION	2-2
III. MAINTENANCE AND TROUBLESHOOTING	3-1
A. MAINTENANCE SCHEDULE	3-1
B. TROUBLESHOOTING GUIDE	3-1

I. INTRODUCTION

The RICON R1250 Power Parking Brake adds hand-control to foot-operated parking brakes. Using the dash board mounted switch, the factory parking brake pedal is electrically actuated. The Power Parking Brake does not need to interface with any other equipment and can be used with a variety of products.



This manual provides warranty information, operating instructions, maintenance and troubleshooting. For installation instructions, please refer to the service manual. It is important to user safety that installation is thorough and correct. It is equally important that the operator be completely familiar with the Operating Instructions chapter of this manual. Once the Power Parking Brake is installed, it is very important that it be properly maintained by following the maintenance and troubleshooting guide.

If there are questions about this manual, or additional copies are needed, please contact the Ricon Product Support Department at one of the following locations:

Ricon Corporation
7900 Nelson Road
Panorama City, CA 91402.....(818) 267-3000
Outside (818) Area Code(800) 322-2884
World Wide Website www.riconcorp.com

Ricon U.K. Ltd.
Littlemoss Business Park, Littlemoss Road
Droylsden, Manchester
United Kingdom, M43 7EF (+44) 161 301 6000

A. RICON ONE-YEAR LIMITED WARRANTY (refer to following page)

RICON CORPORATION

ONE-YEAR LIMITED WARRANTY

Ricon Corporation (Ricon) warrants to the original purchaser of this product that Ricon will repair or replace, at its option, any parts that fail by reason of defective material or workmanship as follows:

- Repair or replace parts for a period of one year from date of purchase. A list of parts covered by this warranty can be obtained from an authorized Ricon dealer.

If You Need to Return a Product: Return this Ricon product to the installing dealer. Please give as much advance notice as possible and allow a reasonable amount of time for repairs.

If You are Traveling: All authorized Ricon dealers honor this warranty. Consult a telephone directory or call our Product Support for the nearest Ricon dealer.

This Warranty does not Cover:

- Labor or service charges (these may be covered separately by the installing service technician).
- Malfunction or damage to product parts caused by accident, misuse, lack of proper maintenance, neglect, improper adjustment, modification, alteration, the mechanical condition of vehicle, road hazards, overloading, failure to follow operating instructions, or acts of Nature (i.e., weather, lightning, flood).

Note: Ricon recommends that this product be inspected by an authorized Ricon service technician at least once every six months, or sooner if necessary. Any required maintenance should be performed at that time.

This Warranty is Void if:



THIS PRODUCT HAS BEEN DESIGNED AND MANUFACTURED TO EXACT SPECIFICATIONS. MODIFICATION OF THIS PRODUCT IN ANY RESPECT CAN BE DANGEROUS.

- The product has been installed or maintained by someone other than an authorized Ricon service technician.
- The product has been modified or altered in any respect from its original design without written authorization by Ricon.

Ricon disclaims liability for any personal injury or property damage that results from operation of a Ricon product that has been modified from the original Ricon design. No person or company is authorized to change the design of this Ricon product without written authorization by Ricon.

Ricon's obligation under this warranty is exclusively limited to the repair or exchange of parts that fail within the applicable warranty period.

Ricon assumes no responsibility for expenses or damages, including incidental or consequential damages. Some states do not allow the exclusion or limitation of incidental or consequential damages, so the above limitation or exclusion may not apply.

Important: The warranty registration card must be completed and returned to Ricon within 20 days after installation of this Ricon product for the warranty to be valid. The warranty is not transferable.

The warranty gives specific legal rights, and there may be other rights that vary from state to state.

B. SHIPMENT INFORMATION

Ricon does not sell directly to the user because of the specialized nature of the product. Instead, the product is distributed through the worldwide network of authorized Ricon dealers, who perform the actual sale and installation.

- When the product is received, unpack the product and check for freight damage. Claims for any damage should be made to the freight carrier immediately.
- Be sure the installation kit contains all items listed on the kit packing list. Please report any missing items immediately to Ricon Product Support. The warranty and owner's registration cards must be completed and returned to Ricon within 20 days for the warranty to be valid.

NOTE: The Sales/Service Personnel must review the Warranty and this Operator Manual with the user to be certain that they understand the safe operation of the product. Instruct the user to follow the operating instructions without exception.

C. GENERAL SAFETY PRECAUTIONS

The following general safety precautions must be followed during parking brake operation:

- To avoid injury, exercise caution when using brake operator, and be certain that hands, feet, legs, and clothing are clear of operator.
- Read and thoroughly understand the operating instructions before attempting to operate.
- Inspect the product before each use. If an unsafe condition, unusual noises or movements, exists, do not use it until the problem is corrected.
- The product requires regular periodic maintenance. A thorough inspection is recommended at least once every six months. The product must always be maintained at the highest level of performance

D. PRODUCT TERMINOLOGY

The references used throughout this manual are illustrated in **Figure 1-1** and defined in **Table 1-1**. Refer to the power parking brake **Service Manual, Chapter IV** for more details.

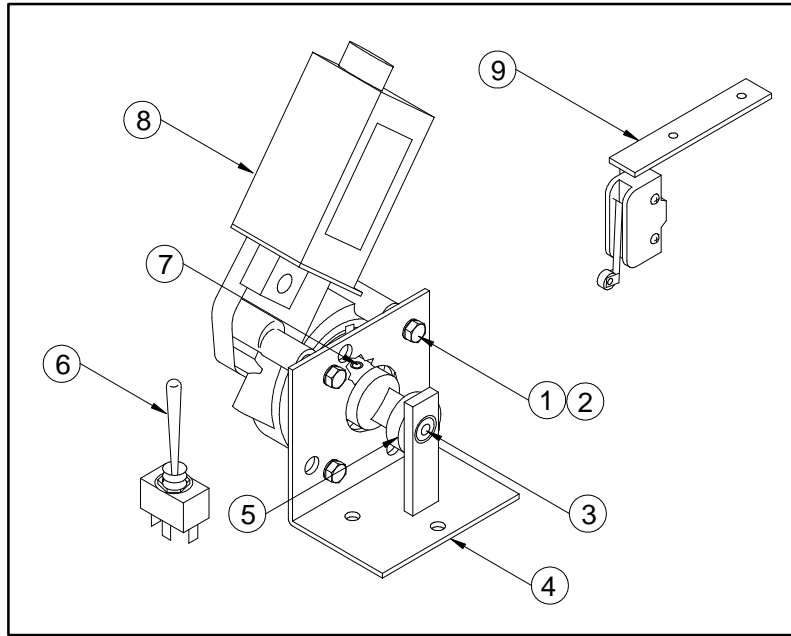


FIGURE 1-1: R1250 POWER PARKING BRAKE

TABLE 1-1 POWER PARKING BRAKE TERMINOLOGY	
REF	DESCRIPTION
1	Hex screw
2	Split lockwasher
3	Bronze bushing
4	Mounting bracket
5	Spindle
6	Control switch
7	Set screw
8	Motor assembly
9	Limit switch and bracket
END OF TABLE	

II. OPERATING INSTRUCTIONS

This chapter contains operating instructions for the RICON 1250 Power Parking Brake. These instructions must be thoroughly understood by the operator before attempting to operate the Power Parking Brake.

A. SAFETY PRECAUTIONS

The following safety precautions must be complied with when operating the Power Parking Brake:

- Inspect the Power Parking Brake prior to each use.
- Do not place arms, legs, or clothing in or near moving parts.
- Keep others clear while operating.
- Do not allow an untrained person to operate.
- Exercise supervision if used by or near children.

Be sure that these safety precautions have been read and understood. Review them periodically, and ask any other operators to read them as well. If there are any questions, contact an authorized Ricon dealer or call Ricon Product Support.

B. DAILY SAFETY CHECK

Inspect the Power Parking Brake prior to each use and check that the following conditions are met before operating:

- All functions operate properly. If unusual noises or movements exist, DO NOT use and contact an authorized Ricon dealer for repair.
- No objects that may interfere with operation are present.

C. CONTROLS AND INDICATORS

1. CONTROL SWITCH

Refer to **Figure 2-1**. The Power Parking Brake is operated with a dash mounted control switch. The switch is spring-loaded and must be held until motion stops. Releasing the switch will halt motion.

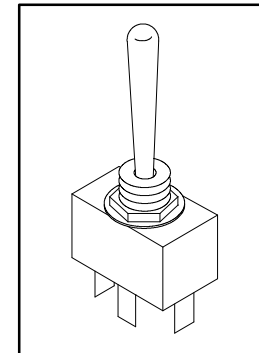


FIGURE 2-1: CONTROL SWITCH

2. CIRCUIT BREAKER

Refer to **Figure 2-2**. The 20A circuit breaker is located in the vehicle engine compartment, and interrupts electrical power to the power parking brake in the event of an over-current situation. In the event of a short circuit, the circuit breaker reset tab rotates CW. If rotating the reset tab CCW and releasing does not reset power, **do not press and hold**. Contact an authorized Ricon dealer for repair.

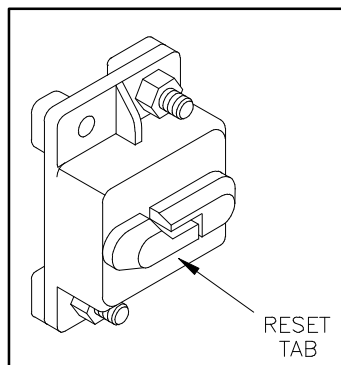


FIGURE 2-2: CIRCUIT BREAKER

CAUTION!

REMINDER TO RICON SERVICE TECHNICIAN

NEVER REPLACE THE CIRCUIT BREAKER WITH ONE OF GREATER AMPERAGE RATING. LOCATE AND REPAIR SHORT CIRCUIT TO CORRECT PROBLEM.

D. POWER PARKING BRAKE OPERATION

Operation should not be attempted until the user reads and thoroughly understands these instructions. To operate the Power Parking Brake, hold the control switch in the ON position until brake is fully set. Releasing the switch will halt the function.

Follow the manufacturer instructions to release the parking brake.

III. MAINTENANCE AND TROUBLESHOOTING

Routine maintenance of the RICON R1250 Power Parking Brake will provide optimum performance. Regular maintenance also reduces the need for repairs. Since Ricon products are highly specialized, it is important that maintenance and repairs be performed by an authorized Ricon service technician, using Ricon replacement parts. We recommend maintenance inspections at least every six months.

A. MAINTENANCE SCHEDULE

SIX MONTHS OF OPERATION	
Check for loose nuts and bolts.	Tighten as needed.

B. TROUBLESHOOTING GUIDE

The troubleshooting guide in Table 3-1 is designed to provide a logical starting point to locate general problems that could occur with the power parking brake. However, not all possible problems or combinations of problems are listed. The guide requires the vehicle battery to be fully charged and the battery terminal connections to be clean and tight.


 WARNING!
THE TROUBLESHOOTING GUIDE DOES NOT INCORPORATE ROUTINE SAFETY PRECAUTIONS OR PRELIMINARY PROCEDURES. ONLY AUTHORIZED RICON SERVICE TECHNICIANS SHOULD PERFORM TROUBLESHOOTING.

TABLE 3-1: TROUBLESHOOTING GUIDE			
SYMPTOM	POSSIBLE CAUSE	REMEDY	REF. SEC.
Partial operation.	Obstruction under Power Parking Brake.	Remove obstruction and check for any damage	NA
No operation.	Circuit breaker tripped.	Reset circuit breaker.	II.C.2
	Limit switch stuck closed.	Make sure limit switch releases normally. If problem continues contact an authorized Ricon service technician for repair/replacement.	Service Manual, II.E
	Loose wire terminal connection.	Verify wire terminals are properly connected.	Service Manual, II.E
	Control switch bad.	Contact an authorized Ricon service technician for replacement	NA
	Motor assembly bad.		
NA - No applicable section			
END OF TABLE			