

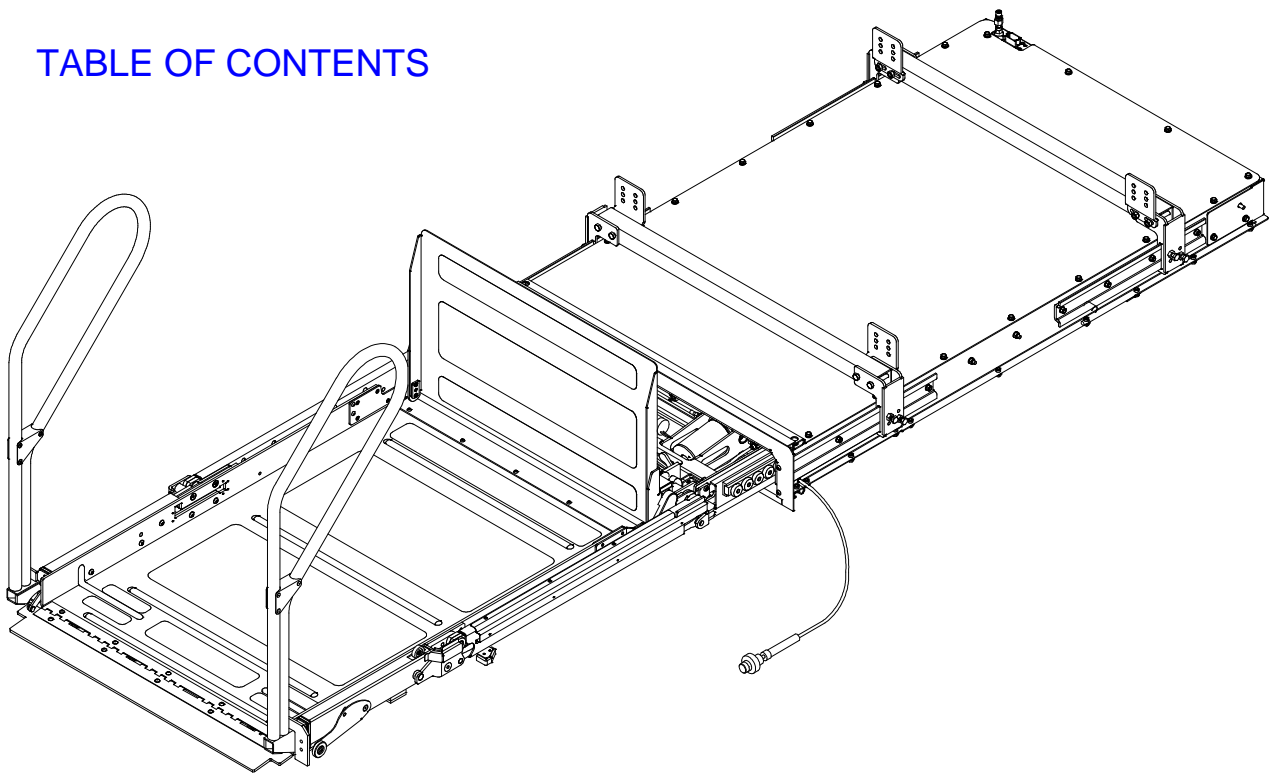
RICON®

INNOVATION IN MOBILITY

Phantom Thin-profile Commercial Wheelchair Lift

[PRINT ENTIRE MANUAL](#)

[TABLE OF CONTENTS](#)



SERVICE MANUAL

06/08/04

32DPH04.B

© 2004 RICON CORPORATION
All Rights Reserved

U.S. and foreign patents pending.
Printed in the United States of America