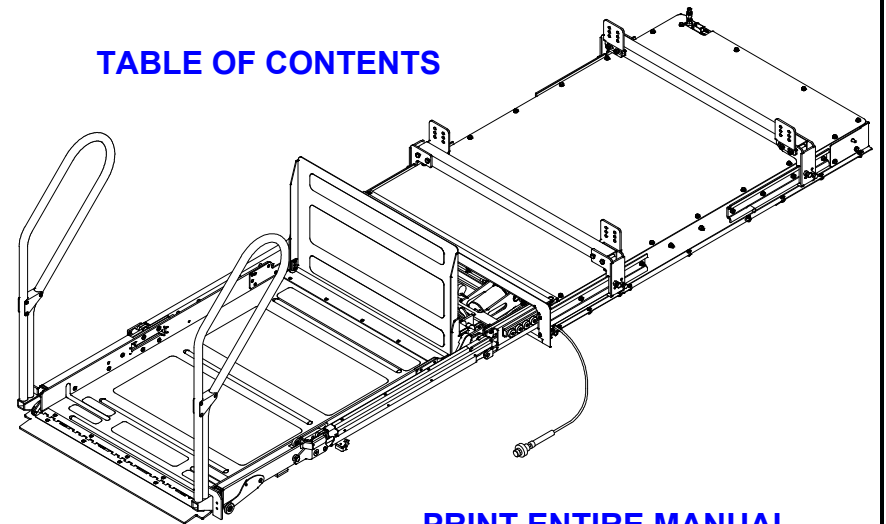




INNOVATION IN MOBILITY

Phantom Thin-Profile Commercial Wheelchair Lift

[TABLE OF CONTENTS](#)



[PRINT ENTIRE MANUAL](#)

OPERATOR MANUAL



05/21/04

32DPH03.B

© 2004 RICON CORPORATION

All Rights Reserved
U.S. and Foreign Patents Pending
Printed in the United States of America