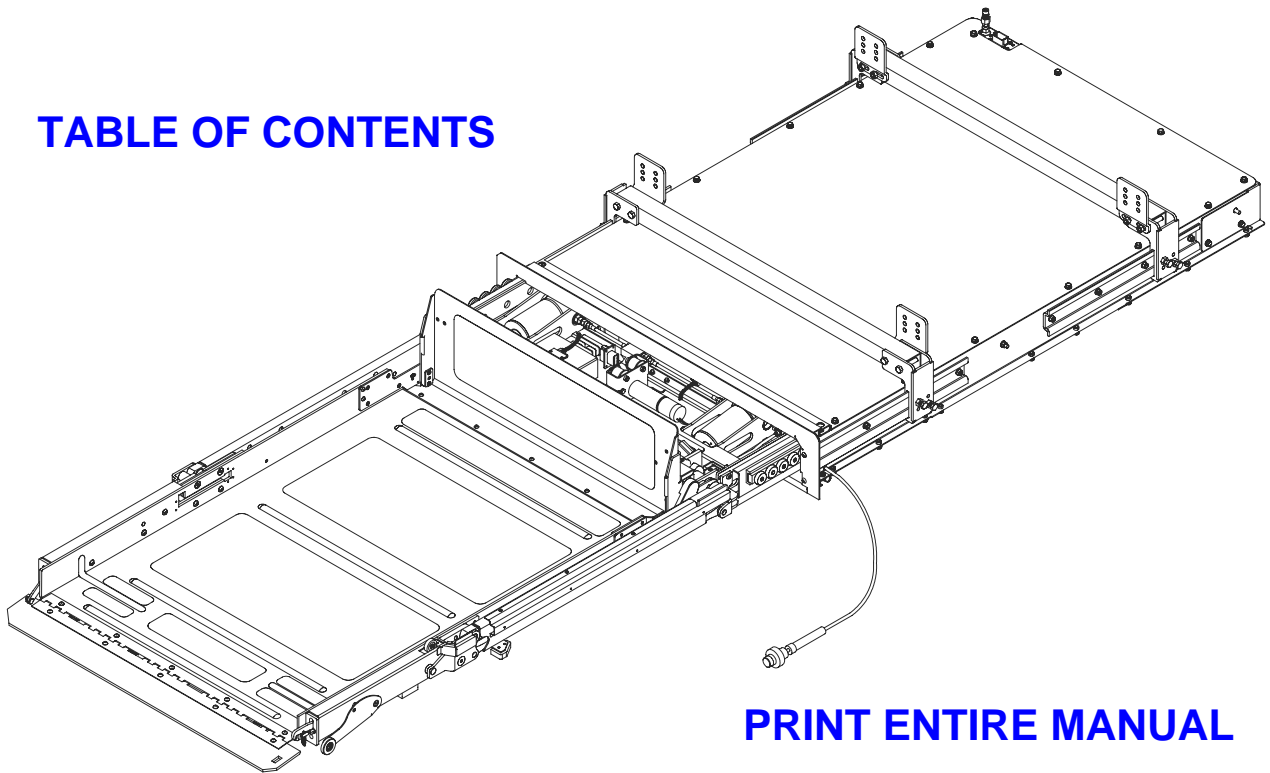




INNOVATION IN MOBILITY

Phantom Thin-profile Personal Wheelchair Lift

[TABLE OF CONTENTS](#)



[PRINT ENTIRE MANUAL](#)

SERVICE MANUAL