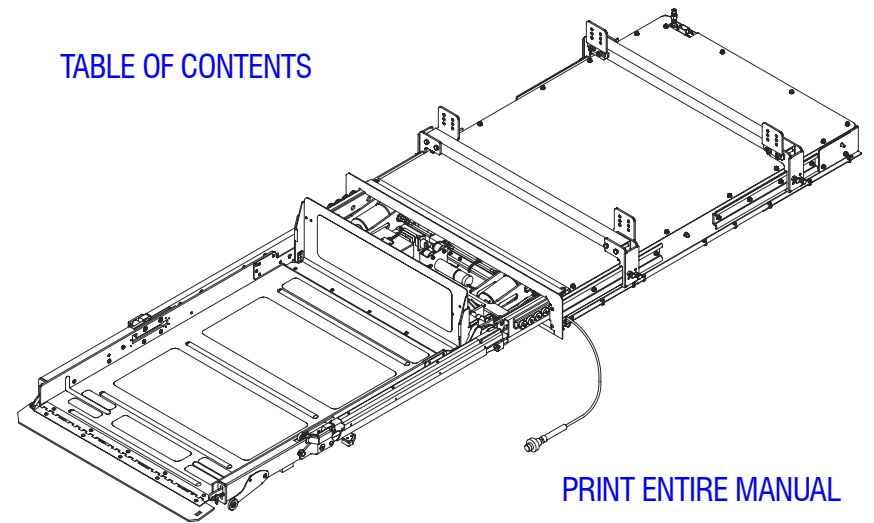




INNOVATION IN MOBILITY

Phantom Thin-Profile Personal Wheelchair Lift

[TABLE OF CONTENTS](#)



[PRINT ENTIRE MANUAL](#)

OPERATOR MANUAL



07/29/04

32DPH01.B

©2004 RICON CORPORATION

All Rights Reserved
U.S. and Foreign Patents Pending
Printed in the United States of America