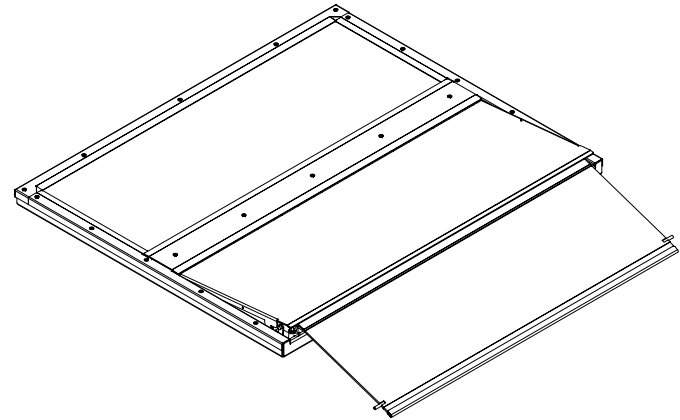




Ricon
A **Wabtec** company

PF7000 Series™ Express Ramp



[PRINT ENTIRE MANUAL](#)

[TABLE OF CONTENTS](#)

Operator Manual



Ricon
A **Wabtec** company

05-08-07

32DPF701.A

©2007 RICON CORPORATION
All Rights Reserved

U.S. and Foreign Patents Pending
Printed in the United States of America