

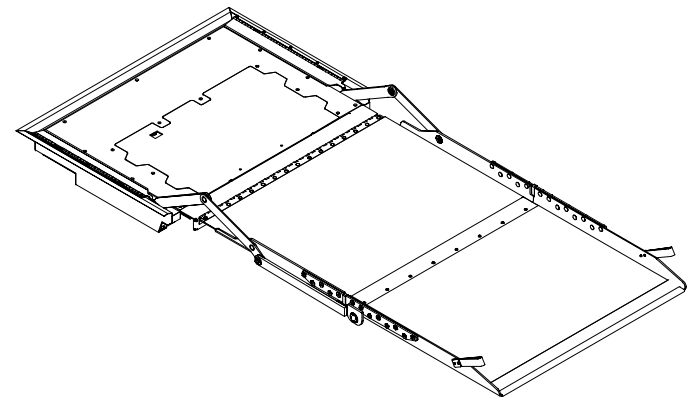


**Ricon**®

A **Wabtec** company

**BiFOLD**™

**BR2 Commercial Series  
Low-Floor Vehicle Access Ramp  
For  
Transit Buses**



[-PRINT ENTIRE MANUAL-](#)

[-TABLE OF CONTENTS-](#)

**OPERATOR MANUAL**

08/16/10

32DFR115.A

©2010 RICON CORPORATION  
All Rights Reserved

U.S. and Foreign Patents Pending  
Printed in the United States of America