

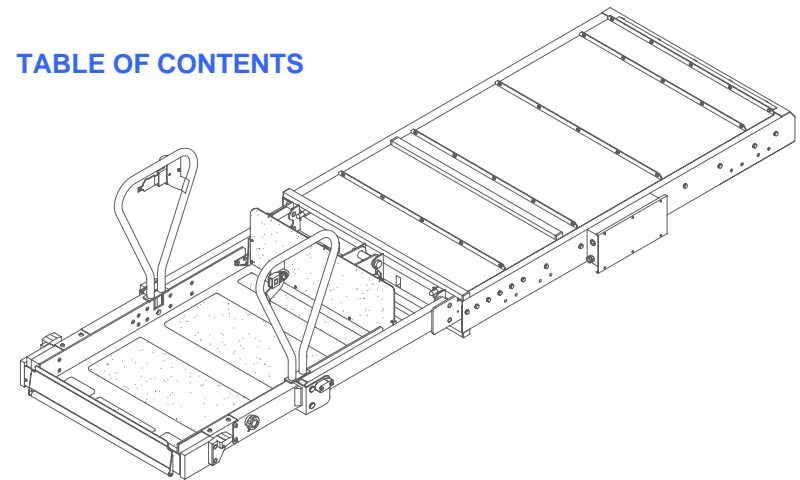


INNOVATION IN MOBILITY

**MIRAGE F9TF  
MOTORCOACH  
DOT - PUBLIC USE LIFT**

[PRINT ENTIRE MANUAL](#)

[TABLE OF CONTENTS](#)



**OPERATOR MANUAL**

12/23/04

32DF9T15.A

©95-2004 RICON CORPORATION  
All Rights Reserved



U.S. Patent Nos. 5,228,538; 5,253,973; 5,373,915; 5,556,250;  
Australian Patent Nos. 661127, 680501; Canadian Patent No. 2,129,821; French Patent No. 0-446-224;  
German Patent Nos. 68925368.0-08, EP 0625896 B1; U.K. Patent Nos. EP 0625896 B1, EP 0703766,  
GB 2,224,992 B; Other U.S. and foreign patents pending.  
Printed in the United States of America