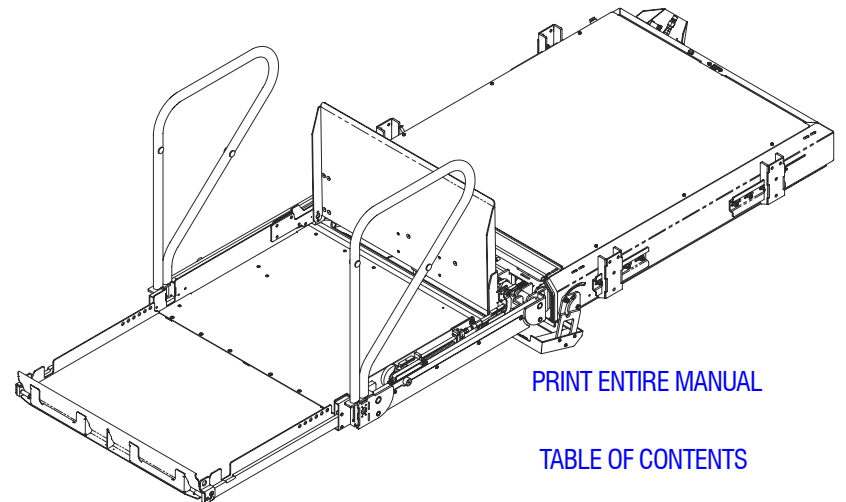




INNOVATION IN MOBILITY

Evolution F8200 Series Export Use Wheelchair Lift



[PRINT ENTIRE MANUAL](#)

[TABLE OF CONTENTS](#)

OPERATOR MANUAL



01/20/05

32DF8201.A

©2005 RICON CORPORATION

All Rights Reserved
U.S. and Foreign Patents Pending
Printed in the United States of America