



# **Ricon**®

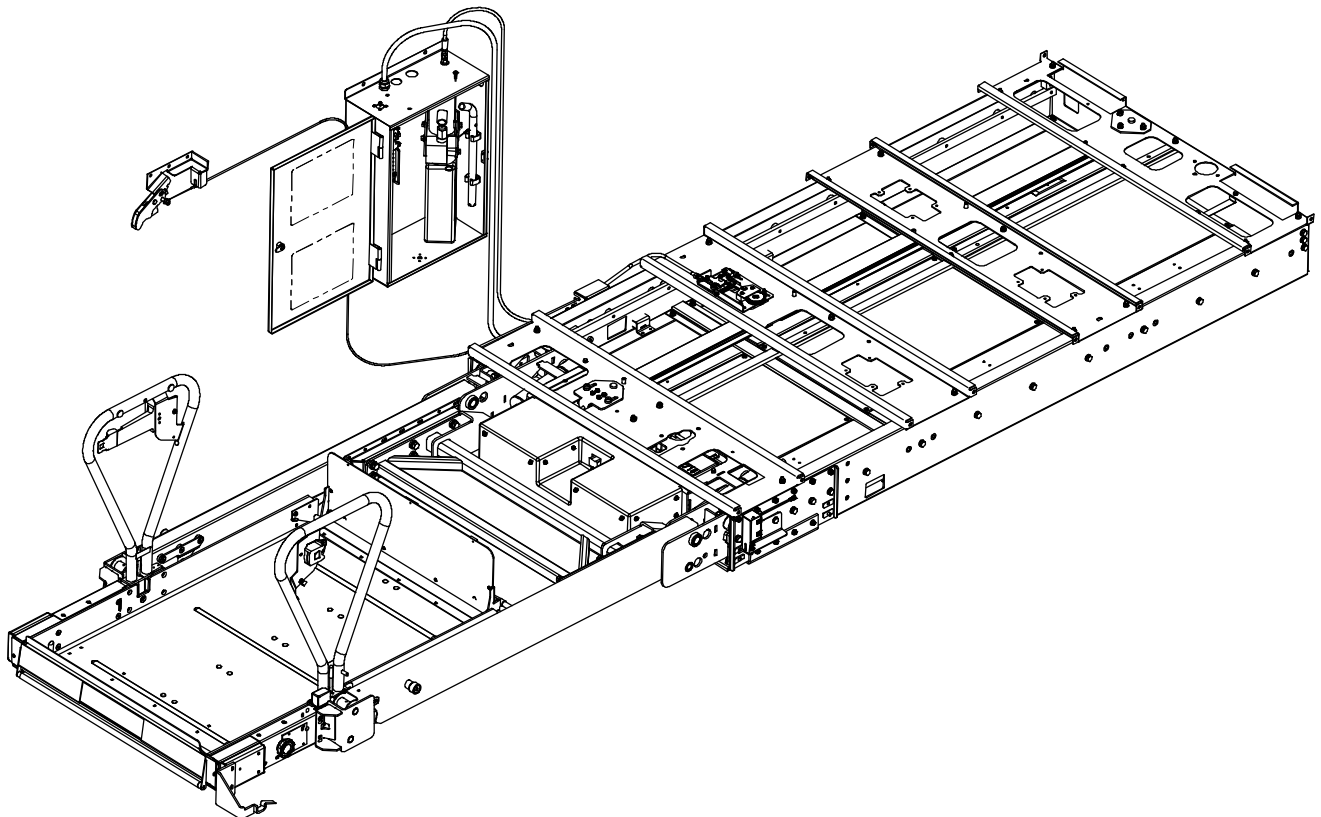
**A Wabtec company**

## MIRAGE®

### F10X-SERIES™

#### DOT PUBLIC USE

#### MOTOR COACH ACCESS LIFT



[-TABLE OF CONTENTS-](#)

[-HOME-](#)

[-PRINT ENTIRE MANUAL-](#)

## **SERVICE MANUAL**

02/08/12

32DF1002.B.1

©2012 RICON CORPORATION  
All Rights Reserved

U.S. Patent Nos. 5,228,538; 5,373,915; 5,556,250;  
6,043,741; 6,102,648, 6,236,905  
Canadian Patent No. 2,129,821  
Other U.S. and foreign patents pending.  
Printed in the United States of America