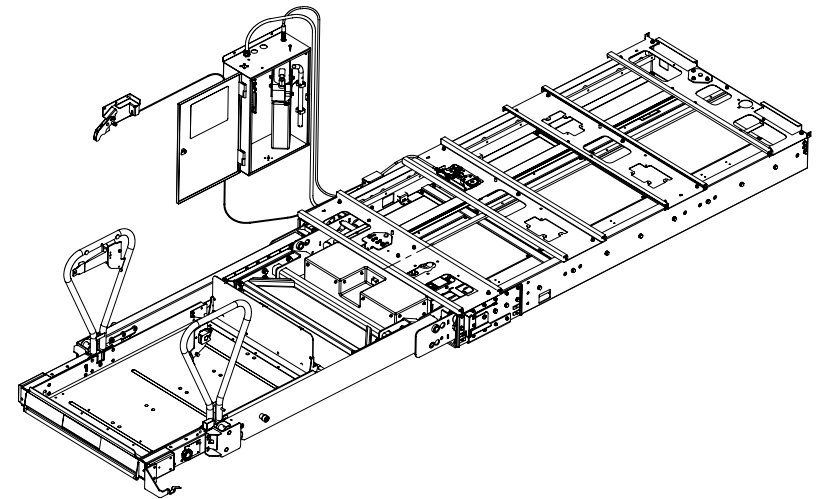




F10X-SERIES™ DOT PUBLIC USE MOTOR COACH ACCESS LIFT

[-PRINT ENTIRE MANUAL-](#)

[-TABLE OF CONTENTS-](#)



OPERATOR MANUAL

04/15/11

32DF1001.A

©2011 RICON CORPORATION
All Rights Reserved



U.S. Patent Nos. 5,228,538; 5,373,915; 5,556,250;
6,043,741; 6,102,648, 6,236,905
Canadian Patent No. 2,129,821
Other U.S. and foreign patents pending.
Printed in the United States of America