

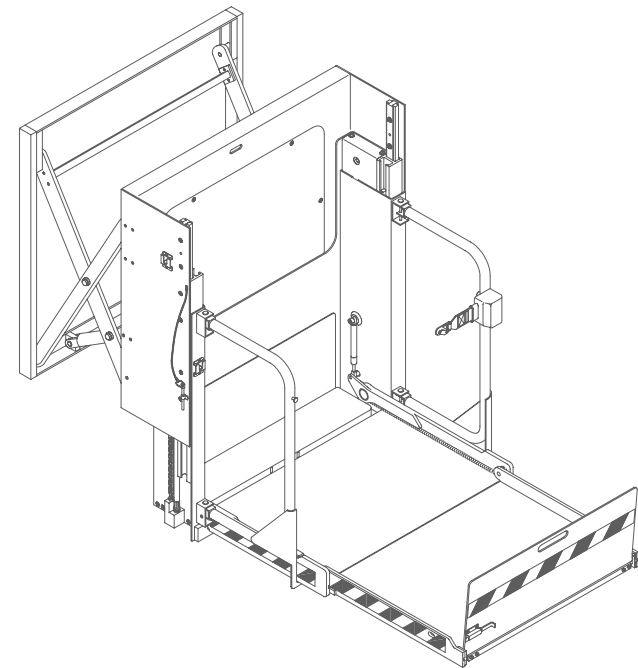


INNOVATION IN MOBILITY

[PRINT ENTIRE MANUAL](#)

BayLift

DOT - PUBLIC USE LIFT



OPERATOR MANUAL

08/28/06

32DBLE03.B

©2004 RICON CORPORATION

All Rights Reserved

