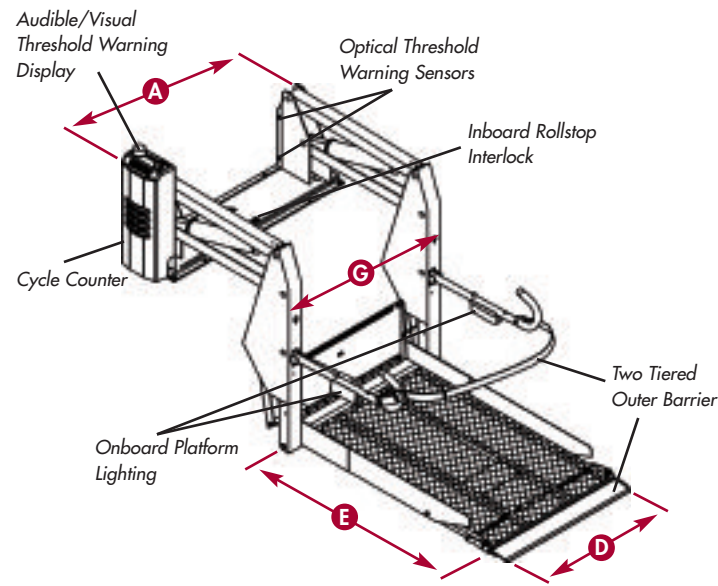


S-SERIES LIFT



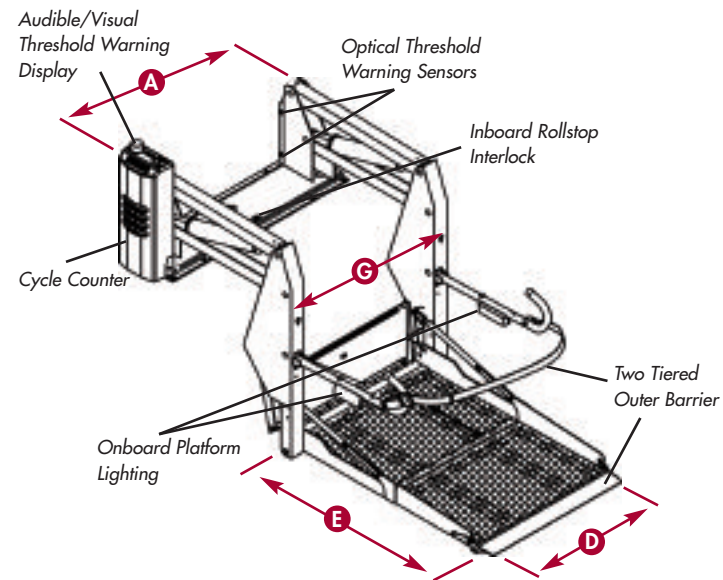
Rated Load Capacity Up to 800 lbs / 363 kg
 Lift Weight approx. 340-370 lbs / 154-168 kg
 Power Electro-Hydraulic
 Hydraulic Cylinders (2) ø1.5" Power-Up / Gravity-Down
 Pump Rating @ 12V DC 65 amp avg. / cycle 1250 psi
 Pump Rating @ 24V DC 32.5 amp avg. / cycle 1250 psi
 Manual Backup (up) Hand Pump
 Manual Backup (down) Pressure Release Valve

Inches/Millimeters

	A	B	C	D	E	F	G
Model	Stationary frame width	Height (folded)	Installation depth (folded)	Usable platform width	Usable platform	Floor-to-ground travel	Traveling frame width
S2005	47/1194	55/1397	14/356	32/813	51/1295	42/1067	40/1016
S2010	49/1245	55/1397	14/356	34/864	54/1372	42/1067	42/1067
S5005*	47/1194	58/1473	14/356	32/813	51/1295	48/1219	40/1016
S5010*	49/1245	58/1473	14/356	34/864	54/1372	48/1219	42/1067

*Model Change

K-SERIES LIFT



Rated Load Capacity Up to 800 lbs / 363 kg
 Lift Weight approx. 340-370 lbs / 154-168 kg
 Power Electro-Hydraulic
 Hydraulic Cylinders (2) ø1.5" Power-Up / Gravity-Down
 Pump Rating @ 12V DC 65 amp avg. / cycle 1250 psi
 Pump Rating @ 24V DC 32.5 amp avg. / cycle 1250 psi
 Manual Backup (up) Hand Pump
 Manual Backup (down) Pressure Release Valve

Inches/Millimeters

	A	B	C	D	E	F	G
Model	Stationary frame width	Height (folded)	Installation depth (folded)	Usable platform width	Usable platform	Floor-to-ground travel	Traveling frame width
K2005	47/1194	55/1397	17/432	31/787	51/1295	37/940	40/1016
K2010	49/1245	55/1397	17/432	33/838	54/1372	37/940	42/1067
K5505	47/1194	58/1473	17/432	31/787	51/1295	48/1219	40/1016
K5510	49/1245	58/1473	17/432	33/838	54/1372	48/1219	42/1067

INNOVATIVE COMMERCIAL ACCESS SOLUTIONS

INTRODUCING THE NEXT GENERATION S-SERIES & K-SERIES LIFTS



All Ricon lifts are for "DOT PUBLIC USE" vehicles and are compliant with all FMVSS regulations.



RICON CORPORATION
 A Division of Vapor Bus International
 7900 NELSON ROAD • PANORAMA CITY, CA 91402
 TOLL-FREE: 1-800-322-2884 • E-Mail: info@RiconCorp.com
www.RiconCorp.com

Across the nation or just across town, Ricon Access Solutions are truly in a class by themselves. Dependable, code compliant, easy to operate and maintain, our products are your partner in safe, superior performance.



MADE IN THE USA

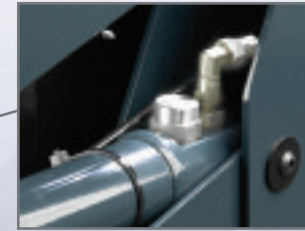
RICON ELEVATES ACCESS TECHNOLOGY TO NEW HEIGHTS OF PERFORMANCE EXCELLENCE



New low-profile threshold warning beacon offers 360-degree visibility if alarm is activated – and there's no need to disconnect when removing the pump cover.



Top-mounted hand control reduces pinch risk. Can be attached directly to lift frame when stowed and when loading – and it's factory mounted for speedy installation!



Redesigned hydraulic cylinders with "Easy-Reach" flow-controls make access simple and convenient – no hose or fitting removal required.



"Easi-Access" pinch shield mounting makes removal and replacement a snap.



Next generation mechanical "Sto-Loc" system is now self-adjusting (located on the reverse side of the inboard rollstop).

One-piece extruded aluminum outer rollstop with "Quiet-Touch" edge.



Universal "No Tools" pump cover with "Secur-Stor" backup tool storage. No more bolts to remove – just push the top-mounted release, then pull up for total access to the manual backup tool, pump and electrical components.



On-board LED diagnostic feature makes checking switch and cable continuity easier than ever before.



Platform control switches are now part of a modular sub-assembly with one-piece molded cam and new one-way harness plugs – foolproof assembly or replacement.

A worldwide leader in mobility enhancement since 1971, Ricon designs, manufactures and installs a needs-responsive array of innovative commercial access products to address the ever-growing demands of the passenger transportation industry.



THE NEXT GENERATION S-SERIES & K-SERIES LIFTS

