



**INSTALLATION INSTRUCTIONS
S-SERIES, SEATBELT GUARD RETROFIT KIT # 01089**

- Be certain that these supplemental instructions are read and understood completely before installation is attempted. You should also refer to the Service/Owner Manual for additional installation instructions and safety precautions.
- Check contents of this kit and notify Ricon immediately of any missing parts. Claims for damages that have occurred during shipping must be made to the shipper.

TABLE OF CONTENTS	PAGE
I. TOOLS REQUIRED	1
II. INSTALLATION	1

I. TOOLS REQUIRED

Drill	0.260 - 0.270 Drill Bit	5/32 Hex Wrench
7/16 Open End Wrench	Locking Pliers	

II. INSTALLATION

- A. PLACE GUARD ON THE FRONT INSIDE EDGE OF THE PLATFORM SIDE PLATE SO THAT THE ANGLED EDGE IS FACING FORWARD REFER **FIGURE [1]**.
1. The front edge of the guard must be positioned in front of the lower corner of the platform side plate.
 2. The holes should be approximately 1.0" away from the front edge of the platform side plate refer **FIGURE [1]**.
 3. The bottom edge of the guard must make contact with the platform as illustrated in **FIGURE [1]**.
- B. CLAMP GUARD IN PLACE WITH LOCKING PLIERS.
- C. USE HOLES IN GUARD TO DRILL THROUGH THE PLATFORM SIDE PLATE.
- D. MOUNT GUARD TO THE PLATFORM SIDE PLATE USING BOLTS AND NUTS INCLUDED IN KIT.

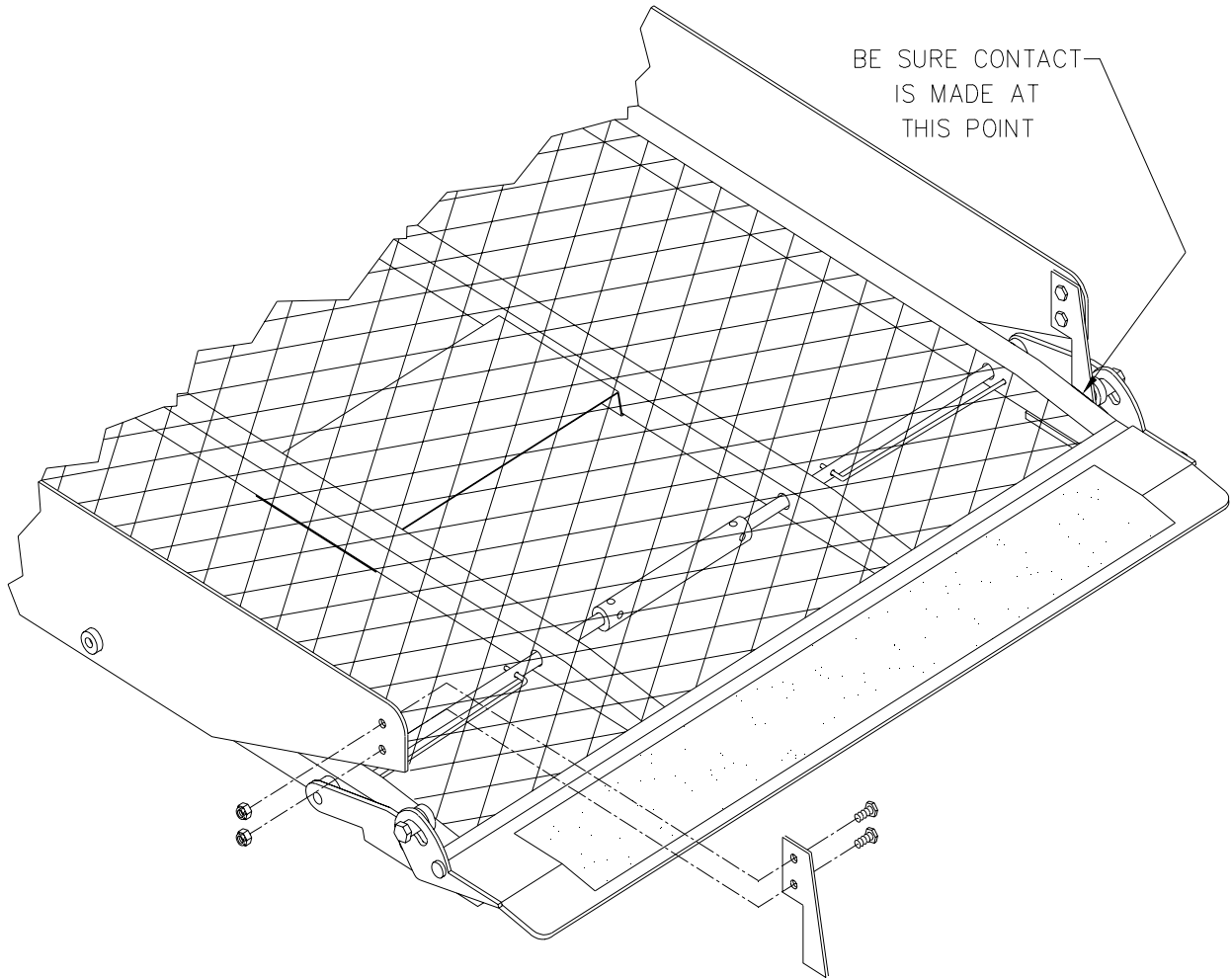
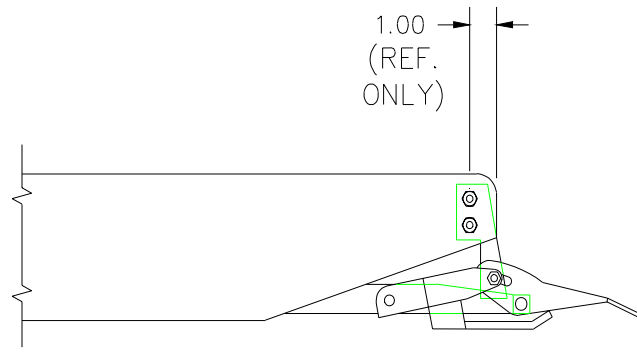


Figure 1