



**INSTALLATION INSTRUCTIONS  
FOR 1176 AND 1177 KIT, SPOOL VALVE, ADA APPLICATIONS  
FOR USE WITH S-2000 OR S-5000 SERIES LIFTS  
BETWEEN S/N 31,000 AND 31,999;AND AFTER S/N 35,000**

- Read and understand supplemental instructions completely before installation is attempted. Refer to the Service/Owner Manual for additional installation instructions and safety precautions.
- Check contents of kit. Immediately notify Ricon of any missing parts. Claims for damages that have occurred during shipment must be made to the shipper.

| <b>TABLE OF CONTENTS</b>         | <b>PAGE</b> |
|----------------------------------|-------------|
| I. PREPARE LIFT .....            | 1           |
| II. DISASSEMBLY .....            | 1           |
| III. REASSEMBLY .....            | 1           |
| IV. ELECTRICAL CONNECTIONS ..... | 2           |
| V. FINAL ASSEMBLY .....          | 2           |

**I. PREPARE LIFT**

- A. Deploy lift to the ground using the Manual Release. Do not retighten.
- B. Remove Pump Cover:
  - 1. Remove three 5/16" hex bolts.

**NOTE:** The fluid loss for this operation is minimal. However, a few shop towels are helpful.

- 2. Ref. numbers refer to Drawing No. SSX00001 (enclosed).

**II. DISASSEMBLY**

- A. Refer to Reference # **[10]**. Remove the Plug from the left most cavity in the Pump Body.
- B. Refer to Reference # **[12]**. Remove the smaller Plug from the center cavity in the Pump Body.

### III. REASSEMBLY

#### A. Install the Deceleration Valve Parts Kit:

1. Insert the Poppet Valve into the cavity, point first. Refer to the drawing for proper orientation.
2. Insert the Spring into the cavity and Poppet Valve.
3. Lightly lube the O-Rings with H-5606 Hydraulic Fluid.
4. Insert the Orifice, O-Ring end first, until it bottoms into the cavity.
5. Refer to Reference # [12]. Install the smaller Plug into the Cavity and tighten. This Plug uses an O-Ring seal excessive torque is not required.

#### B. Install the Spool Valve Assembly:

1. Remove the Hex Nut at the top of the Coil Assembly.
2. Remove the Coil Assembly.
3. Lightly lube the O-Rings with H-5606 Hydraulic Fluid.
4. Install the Spool Valve into the cavity. Tighten snugly.
5. Reinstall Coil Assembly and Hex Nut.

### IV. ELECTRICAL CONNECTIONS

#### A. Diode Block:

1. Locate the Two Conductor molex® Receptacle. (The receptacle is found at the outer-bottom-left side of the Tower Assembly near the Pump. Receptacle can be identified by the orange wire and the black wire in it.)
2. Plug the Diode Block into the Two-Conductor molex® Receptacle.
3. Locate the Single-Conductor Molex Receptacle (The receptacle is found at the outer-bottom-left side Tower Assembly near the Pump. This Receptacle can be identified by it's green wire.)
4. Plug the Diode Block into the Single-Conductor molex® Receptacle.

#### B. Spool Valve Assembly:

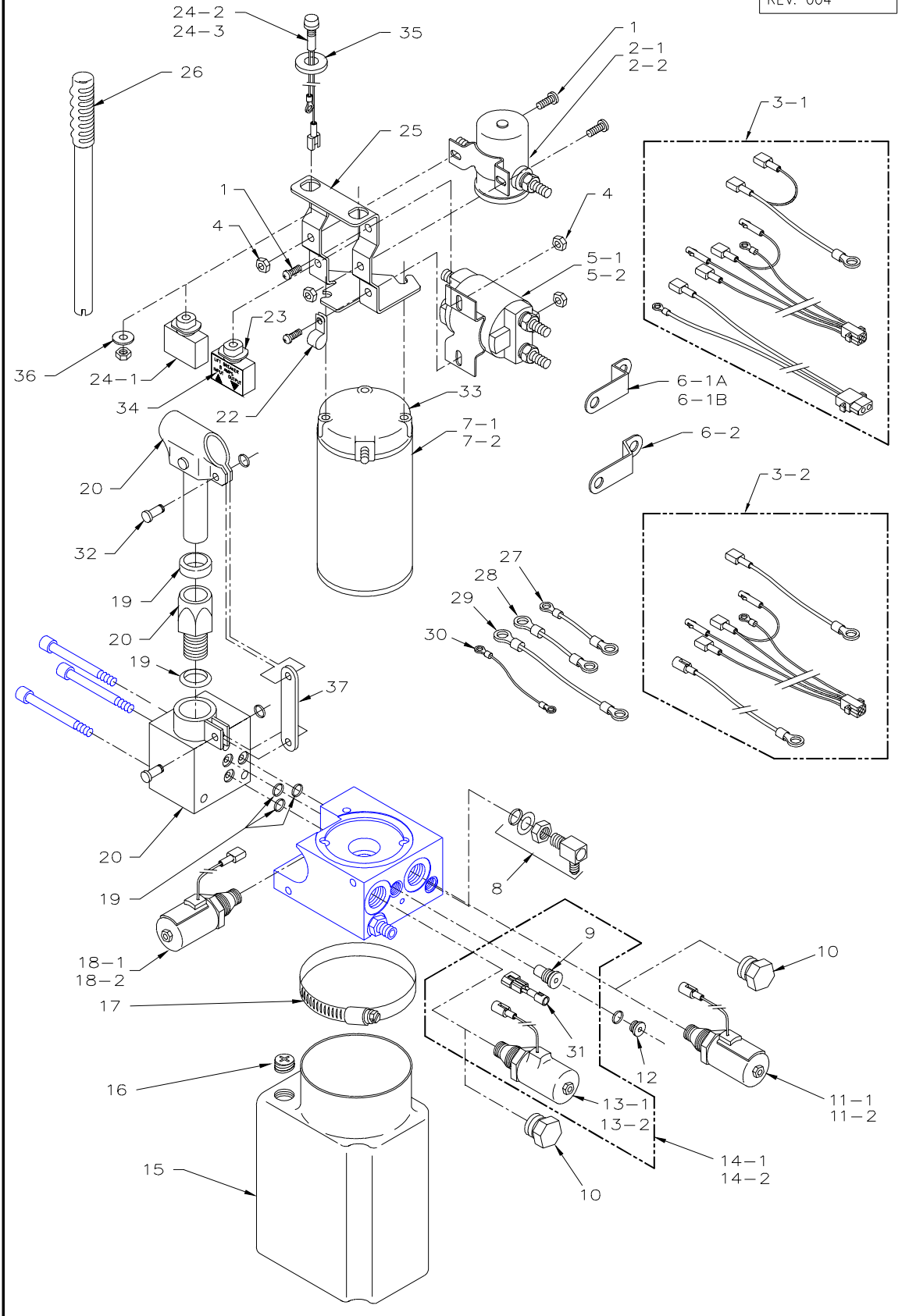
1. Locate the Single-Conductor molex® Receptacle (It is found near the Solenoid Mounting Bracket at the top of the Motor. This Receptacle can be identified by it's green wire.)
2. Connect the Spool Valve Plug to the molex® Receptacle.

### V. FINAL ASSEMBLY

- A. Close Manual Release Valve.
- B. Carefully test cycle the lift through all functions.

MONARCH HYDRAULIC POWER UNIT #1  
 SERIAL NO's. 31000-31999  
 SERIAL NO's. 35000 - PRESENT

|                |
|----------------|
| DATE: 01/30/96 |
| DWG. SSX00001  |
| REV. 004       |



## NOTES