

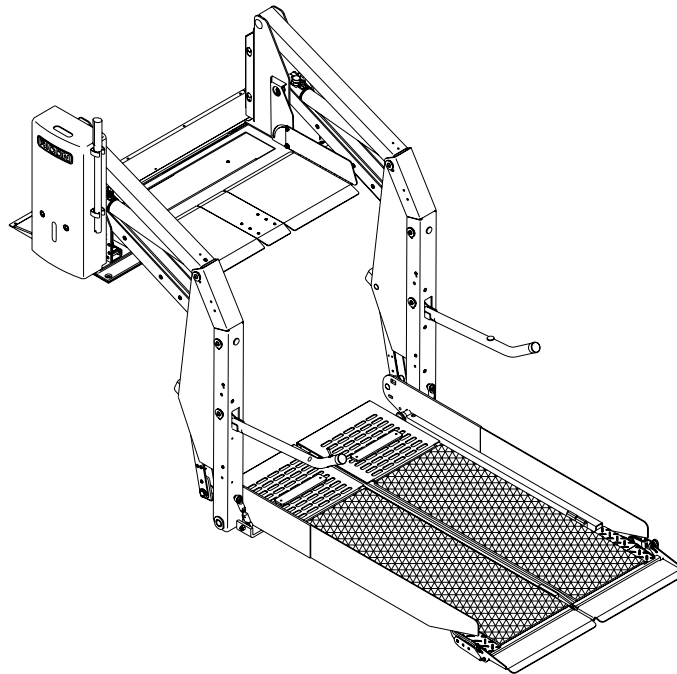
TABLE OF CONTENTS

RICON®

INNOVATION IN ACCESS

Slide-Away Export Use Wheelchair and Standee Lift

PRINT ENTIRE MANUAL



Service Manual

04-26-07

32DSW04.C

©2006 RICON CORPORATION

U.S. Patent Nos: 4,534,450; 5,308,215; 5,445,488; 5,605,431; 5,944,473;

Australia Patent Nos: 687066;

Canadian Patent Nos: 1,245,603

Other U.S. and foreign patents pending

All Rights Reserved

Printed in the
United States of America