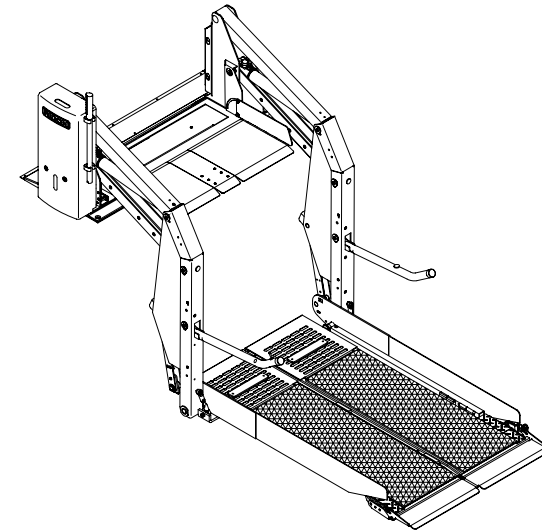


[PRINT ENTIRE MANUAL](#)



INNOVATION IN MOBILITY™

SLIDE-AWAY
Export Use™
Wheelchair and Standee Lift
[TABLE OF CONTENTS](#)



Operator Manual

09/18/06

32DSW03.B

©94-2006 RICON CORPORATION
All Rights Reserved



U.S. Patent Nos: 4,534,450; 5,308,215; 5,445,488; 5,605,431; 5,944,473
Australian Patent No: 687,066 Canadian Patent No: 1,245,603
Other U.S. and foreign patents pending.

Printed in the United States of America