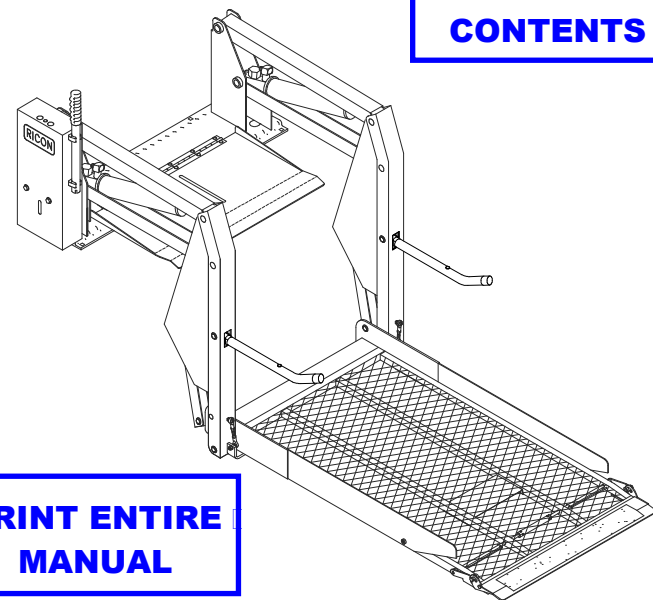




INNOVATION IN MOBILITY™

W-Series™ Wheelchair Lift

**TABLE OF
CONTENTS**



**PRINT ENTIRE
MANUAL**

Operator Manual

03/18/04
Printed in the United States of America

32DSSW01.A

©1992-04 RICON Corporation
All Rights Reserved



U.S. Patent Nos: 5,228,538; 5,308,215; 5,373,915; 5,445,488; 5,605,431; 5,944,473
Australian Patent Nos: 661127; 687066 Canadian Patent No: 2,129,821
German Patent No: EP 0625896 B1 U.K. Patent No: EP 0625896 B1
Other U.S. and foreign patents pending.

This RICON product must be installed and serviced by authorized RICON service technicians.

The operator must refer to this manual for operating instructions, then retain it for future reference by authorized RICON service technicians who perform service and repair.

Customer Name: _____
Installing Dealer: _____
Date Installed: _____
Serial Number: _____

REVISION RECORD

REV	PAGES	DESCRIPTION OF CHANGE	ECO
32dssw01. A	All	New release	
END OF LIST			

TABLE OF CONTENTS

<u>Chapter:</u>	<u>Page</u>
I. INTRODUCTION	1-1
A. RICON ONE-YEAR LIMITED WARRANTY	1-2
B. SHIPMENT INFORMATION	1-3
C. GENERAL SAFETY PRECAUTIONS	1-3
D. MAJOR LIFT COMPONENTS	1-4
II. OPERATING INSTRUCTIONS	2-1
A. SAFETY PRECAUTIONS	2-1
B. DAILY SAFETY CHECK	2-2
C. PLATFORM MOTIONS	2-3
D. LIFT CONTROLS	2-4
• CONTROL PENDANT	2-4
• ELECTRICAL CONTROLS	2-5
• MANUAL BACK-UP PUMP	2-6
E. NORMAL LIFT OPERATION	2-7
1. ENTERING VEHICLE	2-7
2. EXITING VEHICLE	2-8
3. STOWING PLATFORM	2-8
F. MANUAL OPERATION	2-9
III. MAINTENANCE	3-1
A. MAINTENANCE INFORMATION	3-1
B. CLEANING	3-1
C. MAINTENANCE SCHEDULE	3-1

This page intentionally left blank.