

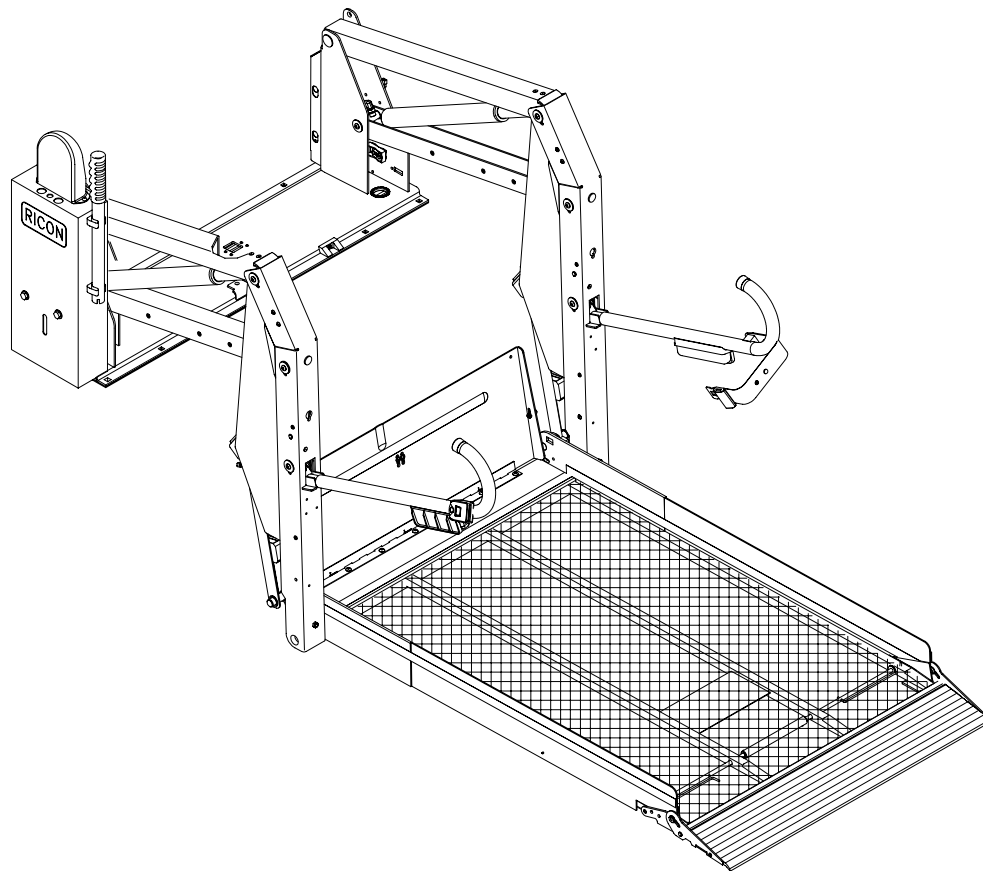


Ricon®

A Wabtec company

S-Series®

DOT - Public Use Lift



-TABLE OF CONTENTS-

-HOME-

-PRINT ENTIRE MANUAL-

SERVICE MANUAL

11/01/11

32DSST04.D

©2011 RICON CORPORATION
All Rights Reserved

U.S. Patent Nos: 4,534,450; 5,308,215; 5,445,488; 5,605,431; 5,944,473;
Australia Patent Nos: 661127;687066;
Canadian Patent Nos: 1,245,603; 2,168,761
Other U.S. and foreign patents pending

Printed in the
United States of America