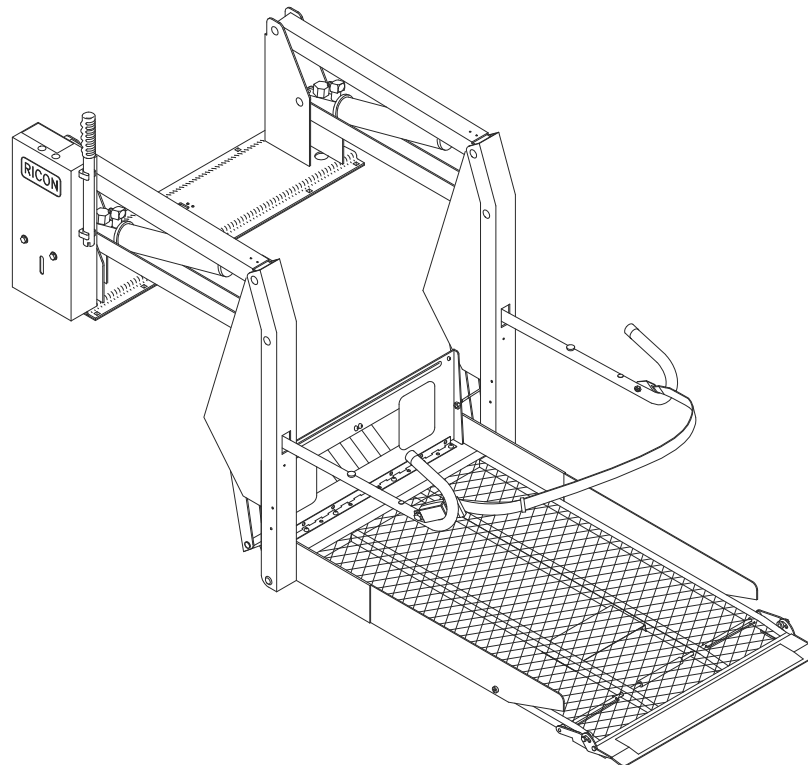




Ricon®

A Wabtec company

S-Series®
ADA Transit Use
Wheelchair and Standee Lift



[-TABLE OF CONTENTS-](#)

[-HOME-](#)

[-PRINT ENTIRE MANUAL-](#)

Service Manual

12/10/13

32DSS02.D.1

U.S. Patent Nos: 4,534,450; 5,308,215; 5,445,488; 5,605,431; 5,944,473;
Australia Patent Nos: 661127; 687066;
Canadian Patent Nos: 1,245,603; 2,168,761
Other U.S. and foreign patents pending

©2013 RICON CORPORATION
All Rights Reserved

Printed in the
United States of America