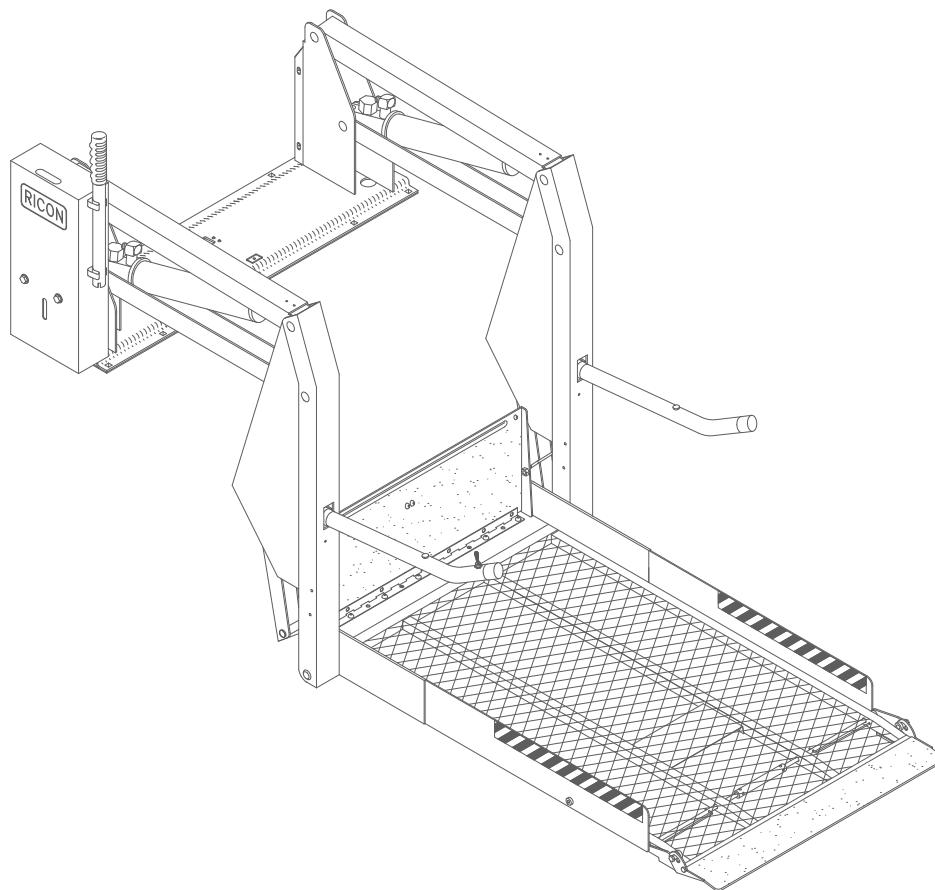




S-Series[®]

DOT - Private Use Lift



[-TABLE OF CONTENTS-](#)

[-HOME-](#)

[-PRINT ENTIRE MANUAL-](#)

SERVICE MANUAL



04/09/15

32DSSP06.B

©2015 RICON CORPORATION
All Rights Reserved

U.S. Patent Nos: 4,534,450; 5,308,215; 5,445,488; 5,605,431; 5,944,473;
Australia Patent Nos: 661127; 687066;
Canadian Patent Nos: 1,245,603; 2,168,761
Other U.S. and foreign patents pending

Printed in the
United States of America