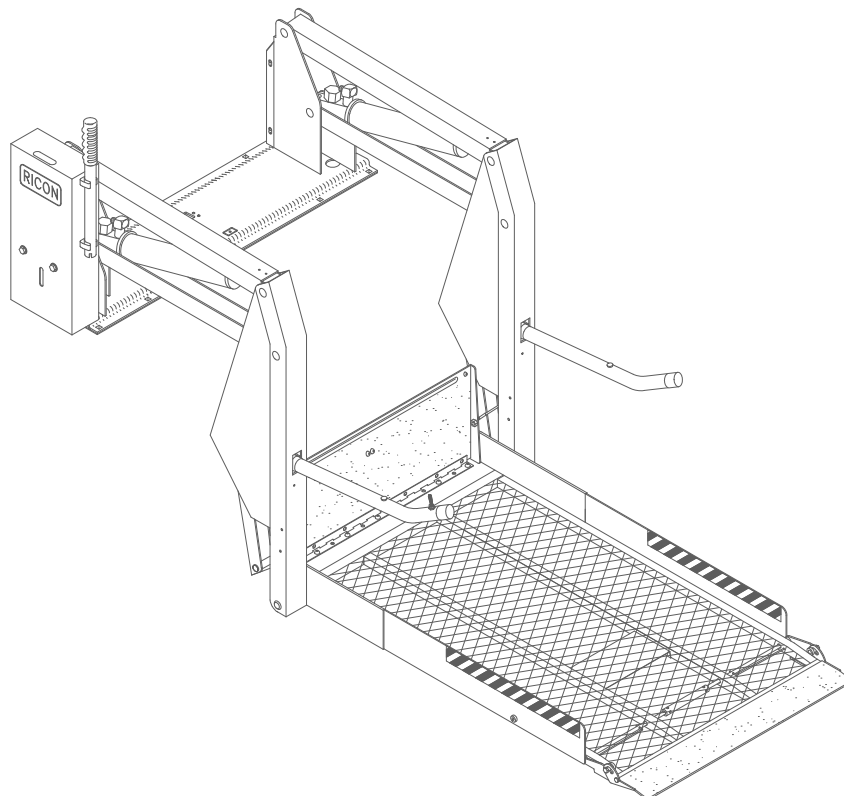




Ricon[®]

A Wabtec subsidiary

S-Series[®] **DOT - Private Use Lift**



[-TABLE OF CONTENTS-](#)

[-HOME-](#)

[-PRINT ENTIRE MANUAL-](#)

SERVICE MANUAL

04/09/15

32DSSP04.B.1

©2015 RICON CORPORATION

U.S. Patent Nos: 4,534,450; 5,308,215; 5,445,488; 5,605,431; 5,944,473;

Australia Patent Nos: 661127; 687066;

Canadian Patent Nos: 1,245,603; 2,168,761

Other U.S. and foreign patents pending

All Rights Reserved

Printed in the
United States of America