

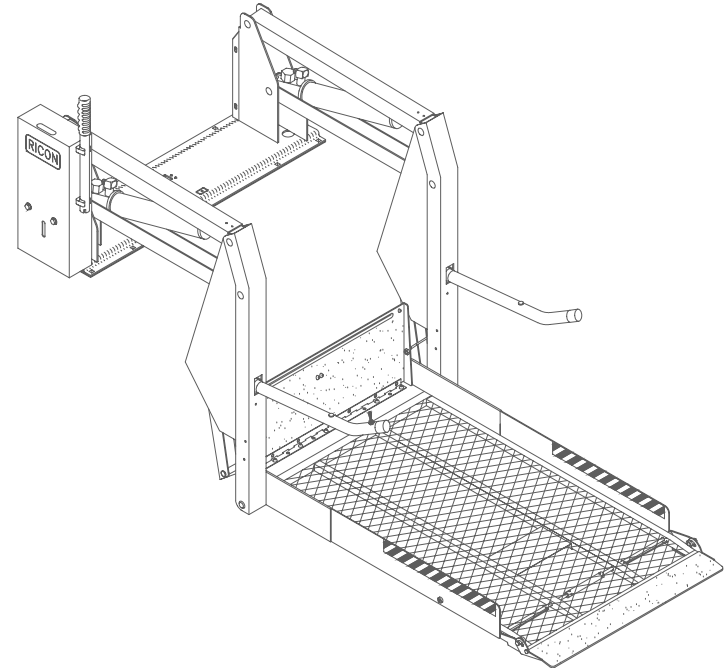
TABLE OF CONTENTS

PRINT ENTIRE MANUAL



INNOVATION IN MOBILITY™

S-Series™ DOT - Private Use Lift



Operator Manual

08/02/05

32DSSP03.B

©1992-05 RICON CORPORATION
All Rights Reserved



U.S. Patent Nos: 4,534,450; 5,308,215; 5,445,488; 5,605,431; 5,944,473
Australian Patent No: 661,127; 687,066 Canadian Patent No: 1,245,603; 2,168,761
Other U.S. and foreign patents pending.
Printed in the United States of America