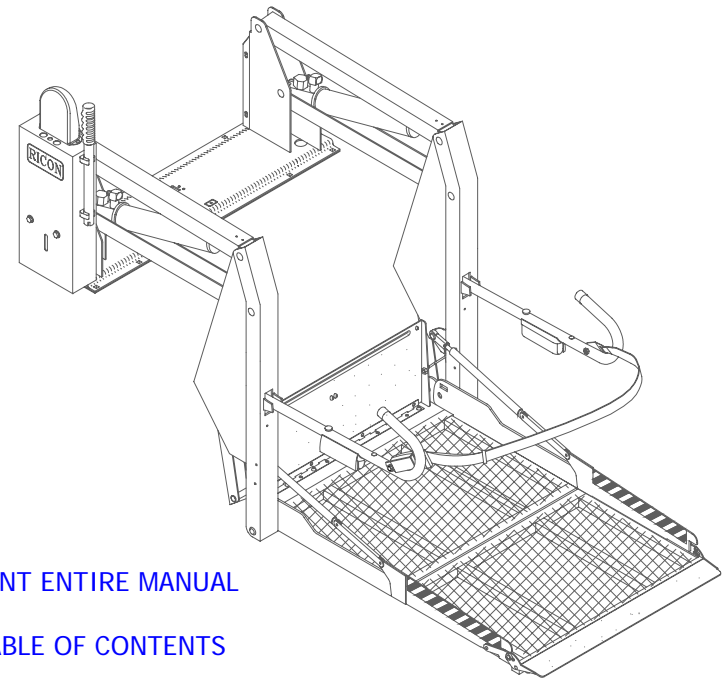




INNOVATION IN MOBILITY™

**K-Series
KlearVue
DOT – Public Use Lift**



[PRINT ENTIRE MANUAL](#)

[TABLE OF CONTENTS](#)

OPERATOR MANUAL



10/19/04

32DSSK05.A

©1995-2004 RICON CORPORATION
All Rights Reserved

U.S. and Foreign Patents Pending
Printed in the United States of America

THIS RICON PRODUCT MUST BE SERVICED BY AUTHORIZED RICON SERVICE TECHNICIANS.

PRODUCT USERS MUST REFER TO THIS MANUAL FOR OPERATING AND GENERAL MAINTENANCE INSTRUCTIONS.

RETAIN THIS MANUAL IN THE VEHICLE FOR FUTURE REFERENCE.

“DOT – Public Use Lift” verifies that this platform lift meets the public use lift requirements of FMVSS no. 403. This lift may be installed on all vehicles appropriate for the size and weight of the lift, but must be installed on buses, school buses, and multi-purpose passenger vehicles other than motor homes with a gross vehicle weight rating (GVWR) that exceeds 10,000 lbs (4,536 kgs).

Customer Information	
Customer name	
Installing dealer	
Date installed	
Serial number	

REVISION RECORD

REVISION	PAGES	DESCRIPTION OF CHANGE	ECR/ECO
32DSSK05. A	All	New release.	N/A
END OF TABLE			

TABLE OF CONTENTS

<i>Chapter</i>	<i>Page</i>
I. INTRODUCTION.....	1-1
A. PRODUCT SUPPORT	1-1
B. PRODUCT WARRANTY	1-2
C. SHIPMENT INFORMATION	1-3
D. GENERAL SAFETY PRECAUTIONS.....	1-3
E. MAJOR LIFT COMPONENTS.....	1-4
II. OPERATING INSTRUCTIONS	2-1
A. SAFETY PRECAUTIONS	2-1
B. DAILY SAFETY CHECK.....	2-2
C. PLATFORM MOTIONS.....	2-3
D. CONTROLS AND INDICATORS	2-4
• CONTROL PENDANT	2-4
• CIRCUIT BREAKERS AND INDICATOR LIGHTS	2-5
• BRIDGEPLATE LOAD SENSOR	2-6
• THRESHOLD SAFETY SYSTEM	2-6
• MANUAL BACK-UP PUMP	2-7
• LIFT CYCLE COUNTER.....	2-7
E. NORMAL LIFT OPERATION	2-8
1. ENTERING VEHICLE.....	2-8
2. EXITING VEHICLE	2-9
3. STOWING PLATFORM	2-9
F. MANUAL OPERATION.....	2-10
1. DEPLOY PLATFORM.....	2-10
2. LOWER PLATFORM.....	2-12
3. STOW PLATFORM.....	2-12
G. MAINTENANCE AND REPAIR NOTE.....	2-12
III. MAINTENANCE.....	3-1
A. ADDITIONAL MAINTENANCE INFORMATION.....	3-1
B. CLEANING	3-1
C. MAINTENANCE SCHEDULE.....	3-1
D. DECAL PART NUMBERS AND LOCATIONS	3-3

This page intentionally left blank.