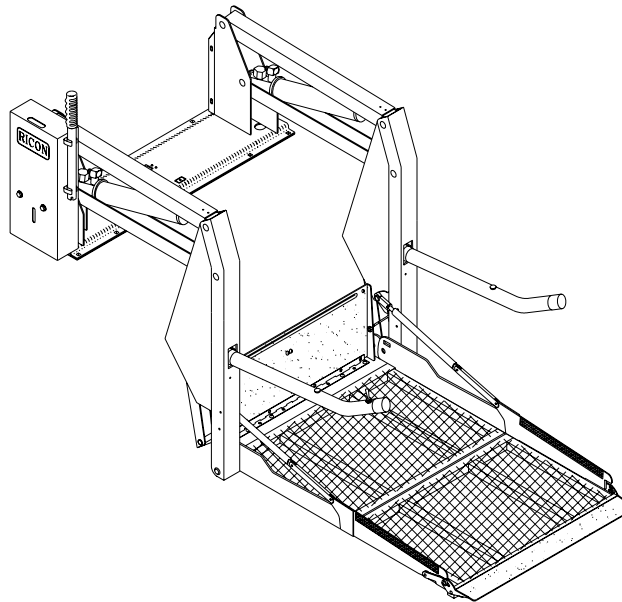


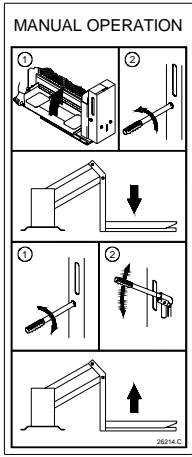
IV. K-SERIES PRIVATE USE SPARE PARTS

This chapter contains parts diagrams and lists for the RICON K-Series Private Use wheelchair lift. The exploded view of each major lift assembly shows individual components referenced by numbers. On each associated list are reference numbers, part descriptions, quantities used, and RICON part numbers.

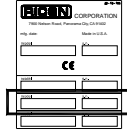
**NOTE:** To order a part, locate the part or assembly on an exploded view, note its reference number, find this number on the associated parts list (following page), and order the part number in the far right column. Most kits contain a single part (plus hardware). Therefore, you may need to order more than one kit if the part is used more than once on a major assembly. Small hardware and fasteners are supplied in bags of ten. The quantity listed is the number of bags needed for the assembly in the figure. In most cases the bag will contain more pieces than needed.



<b>PARTS DIAGRAM</b> .....	<b>PAGE</b>
FIGURE 4-1 PRIVATE USE DECALS.....	4-2
FIGURE 4-2 PRIVATE USE PUMP ASSEMBLY .....	4-4
FIGURE 4-3 PRIVATE USE HYDRAULIC SYSTEM .....	4-6
FIGURE 4-4 PRIVATE USE ELECTRICAL SYSTEM.....	4-8
FIGURE 4-5 PRIVATE USE PENDANT.....	4-10
FIGURE 4-6 PRIVATE USE K1132 PLATFORM.....	4-12
FIGURE 4-7 PRIVATE USE K1200 PLATFORM.....	4-14
FIGURE 4-8 PRIVATE USE K1203 PLATFORM.....	4-16
FIGURE 4-9 PRIVATE USE K1205 PLATFORM.....	4-18
FIGURE 4-10 PRIVATE USE TRAVELING FRAME .....	4-20
FIGURE 4-11 PRIVATE USE HANDRAILS .....	4-23
<b>LIFT SPECIFICATIONS</b> .....	<b>4-24</b>



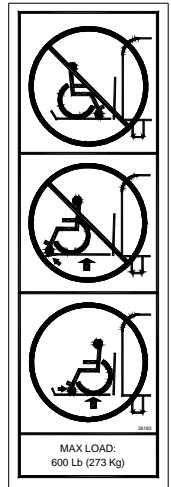
MANUAL OPERATION  
PN 26214



PART OF SERIAL NUMBER  
DECAL (LOCATED ON  
INNER SIDE OF HYDRAULIC  
CYLINDER; ONLY RICON  
REPLACEABLE)



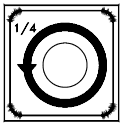
PART OF SERIAL NUMBER  
DECAL (ONLY RICON  
REPLACEABLE)



MAXIMUM  
LOAD  
PN 26183

MAX LOAD:  
600 Lb (273 Kg)

PUMP COVER  
PN 26292



K-SERIES  
PATENT NO.  
PN 19518



DOT - Private Use Lift

DOT-PRIVATE  
USE LIFT  
PN 32141



RICON LOGO  
(BOTH SIDES)  
PN 32-10-152

**K-SERIES PRIVATE USE WHEELCHAIR LIFT**

**WARNING:**  
Improper use of lift can result in personal injury. User must read and follow operating instructions in Operator Manual. Additional copies of Operator Manual are available from:  
**RICON CORPORATION**  
7300 NELSON ROAD  
PANORAMA CITY, CA 91402  
(800) 322-3864  
(818) 267-3000

2) Do not exceed rated load.  
3) Inspect wheelchair lift for damage, correct lift functions, and required maintenance prior to use. Do not use lift if a problem exists, and send to an authorized service technician for repair.  
4) This lift is designed for use by wheelchair occupants only. **DO NOT USE FOR STANDING PASSENGERS.**

Ricon Corporation disclaims liability for damage or personal injury resulting from lift modification, lack of maintenance, faulty repair, negligence, abuse, or failure to follow lift operating instructions.

**OPERATING INSTRUCTIONS:**  
(Also read Operator Manual)

**Deploy Lift:**  
1) Open doors fully. Power doors open automatically when DEPLOY button is actuated. Lift will unfold and stop at vehicle floor level.  
2) Use pendant switch to apply power to pendant.  
3) Press and hold DEPLOY button to unfold platform and lower it to vehicle floor level.  
4) Press and hold DOWN button to lower platform to ground level.

**Enter Vehicle:**  
1) Proceed to center of platform, and face outward, if possible. **LOCK WHEELCHAIR BRAKES.**  
2) Press and hold UP button to raise platform to vehicle floor level.  
3) Release wheelchair brakes and enter vehicle.

**Exit Vehicle:**  
1) Proceed to center of platform, and face outward, if possible. **LOCK WHEELCHAIR BRAKES.**  
2) Press and hold DOWN button to lower platform to ground level.  
3) Release wheelchair brakes and exit platform.

**Stow Lift:**  
1) Press and hold STOW button to fold platform and return it to stowed position.  
2) Turn pendant switch off.  
3) Close doors.

**MANUAL OPERATION:**  
See Manual Operation instructions in Operator Manual or pump cover.

**CAUTION:**  
Safety park vehicle before using lift. Keep wheel of lift when it is in motion. Position wheelchair in center of platform to prevent interference with cover retraction when it rises.

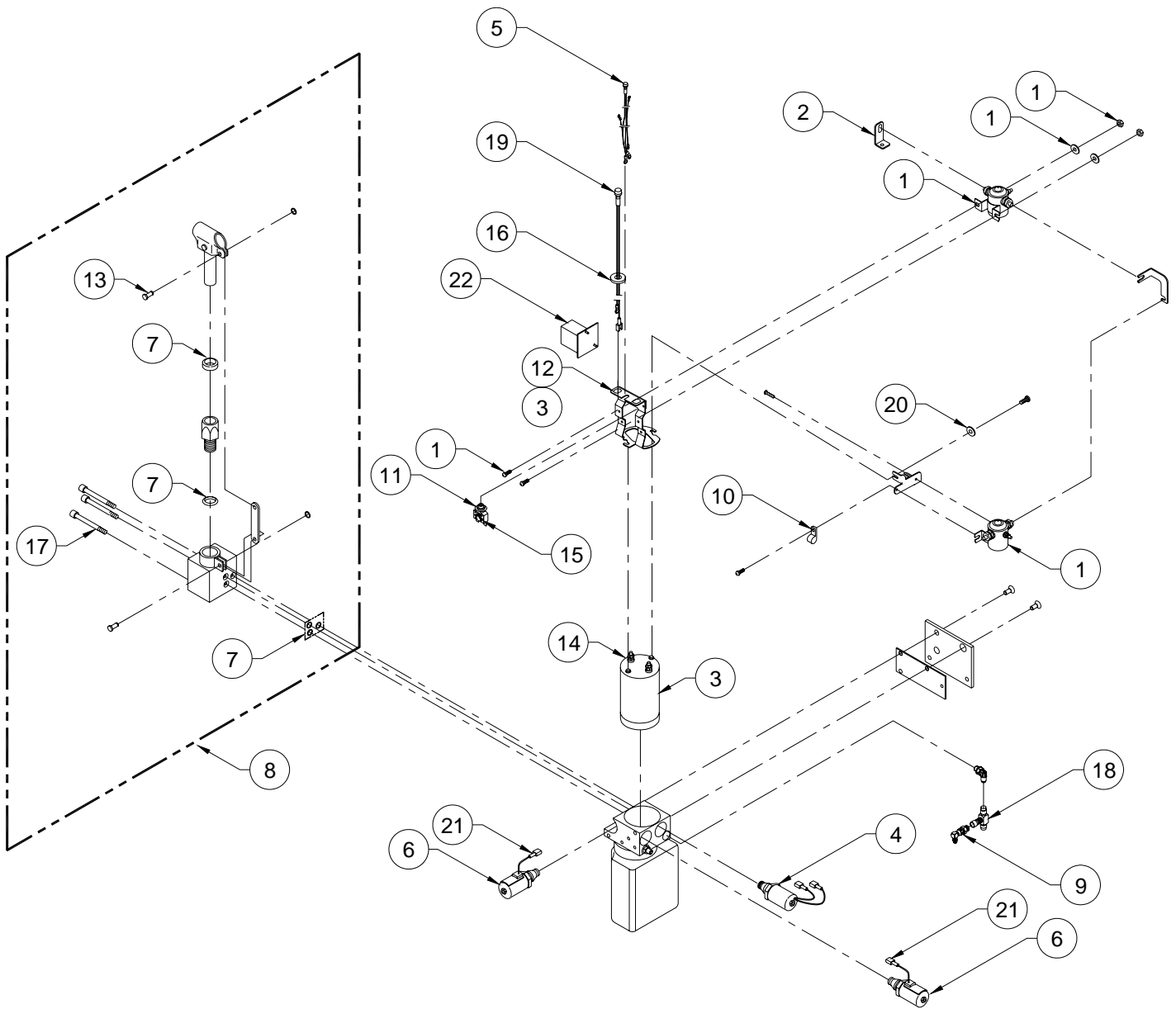
PRIVATE USE  
OPERATING  
INSTRUCTIONS  
PN 32143

DECAL REFLECTIVE,  
RED AND WHITE  
(BOTH SIDES)  
PN 33011



FIGURE 4-1: PRIVATE USE DECALS

This page intentionally left blank.



**FIGURE 4-2: PRIVATE USE PUMP ASSY**

**FIGURE 4-2: PRIVATE USE PUMP ASSEMBLY**

<b>REF</b>	<b>DESCRIPTION</b>	<b>QTY</b>	<b>PART NO</b>
1	KIT, SOLENOID, 12V, SPST	2	29297
2	BUS BAR, ISKRA MOTOR	1	10807
3	KIT, MOTOR ASSY, W/BRACKET, 12V	1	14345
4	SWITCH, HYDRAULIC PRESSURE, ADJUSTABLE	1	15207
5	INDICATOR LIGHT ASSY, 12V	1	19067
6	SPOOL VALVE ASSY, 12V	1	01176
7	KIT, SEAL, MANUAL BACK-UP PUMP	1	V2-SH-220
8	BACK-UP PUMP, MANUAL	1	V2-SH-210
9	FITTING ASSY, SNL, 1/4J X 1/4J, STEEL	1	VS-SH-06
10	CABLE CLAMP, 3/16", NYLON, BAG OF 10	1	19798
11	CIRCUIT BREAKER KIT, 8 AMP, w/HDWR & DECAL	2	V2-SH-005
12	BRACKET, SOLENOID	1	10507
13	PIN & RETAINING RING	2	V2-SH-017
14	KIT, PUMP MOTOR BRUSH SET (located inside motor)	1	14334
15	DECAL, 8 AMP CIRCUIT BREAKER	1	18797
16	ADAPTER, .625 D-HOLE TO .484 ROUND	1	V2-ES-059
17	SCREW, SHC, 1/4-20 X 2.25L, BAG OF 10	3	32407
18	FITTING, SRT, 1/4J, STEEL	1	V2-SH-012
19	LIGHT, LIFT ARMED INDICATOR, 12V, GREEN	1	UL-ES-034
	LIGHT ASSY, INDICATOR, 12V, RED OR GREEN	1	19067
20	WASHER, FLAT, .406X.812X.065, BAG OF 10	1	17510
21	TERM, SLIP, M22-18 FULL INSUL, BAG OF 10	1	33336
22	COUNTER ASSY	1	33048

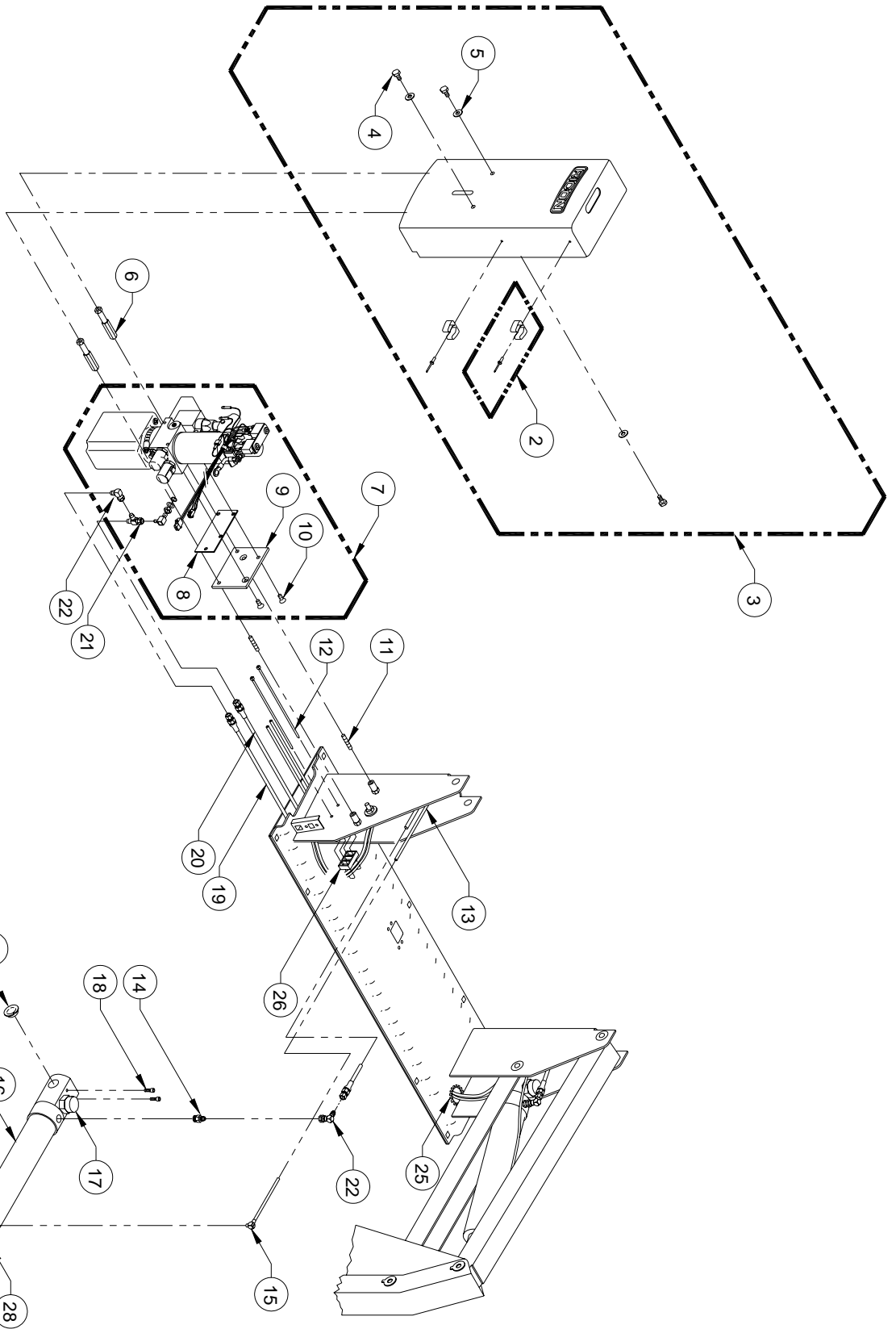
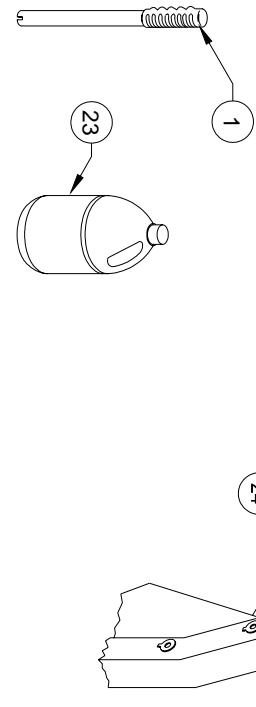
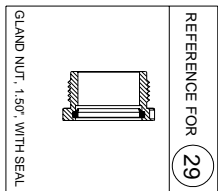
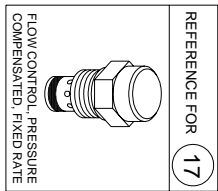
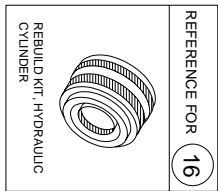
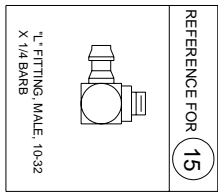
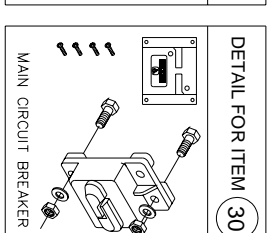
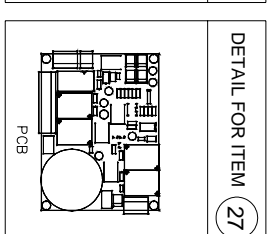
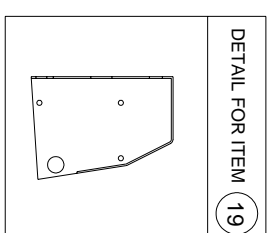
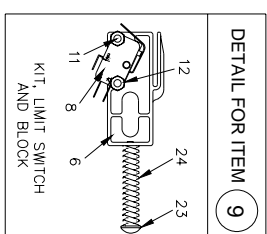
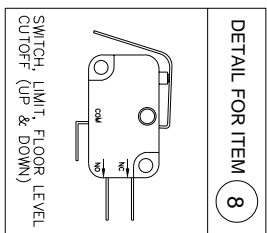
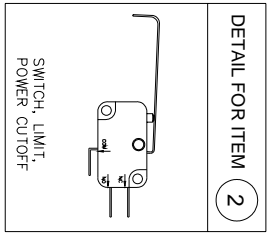
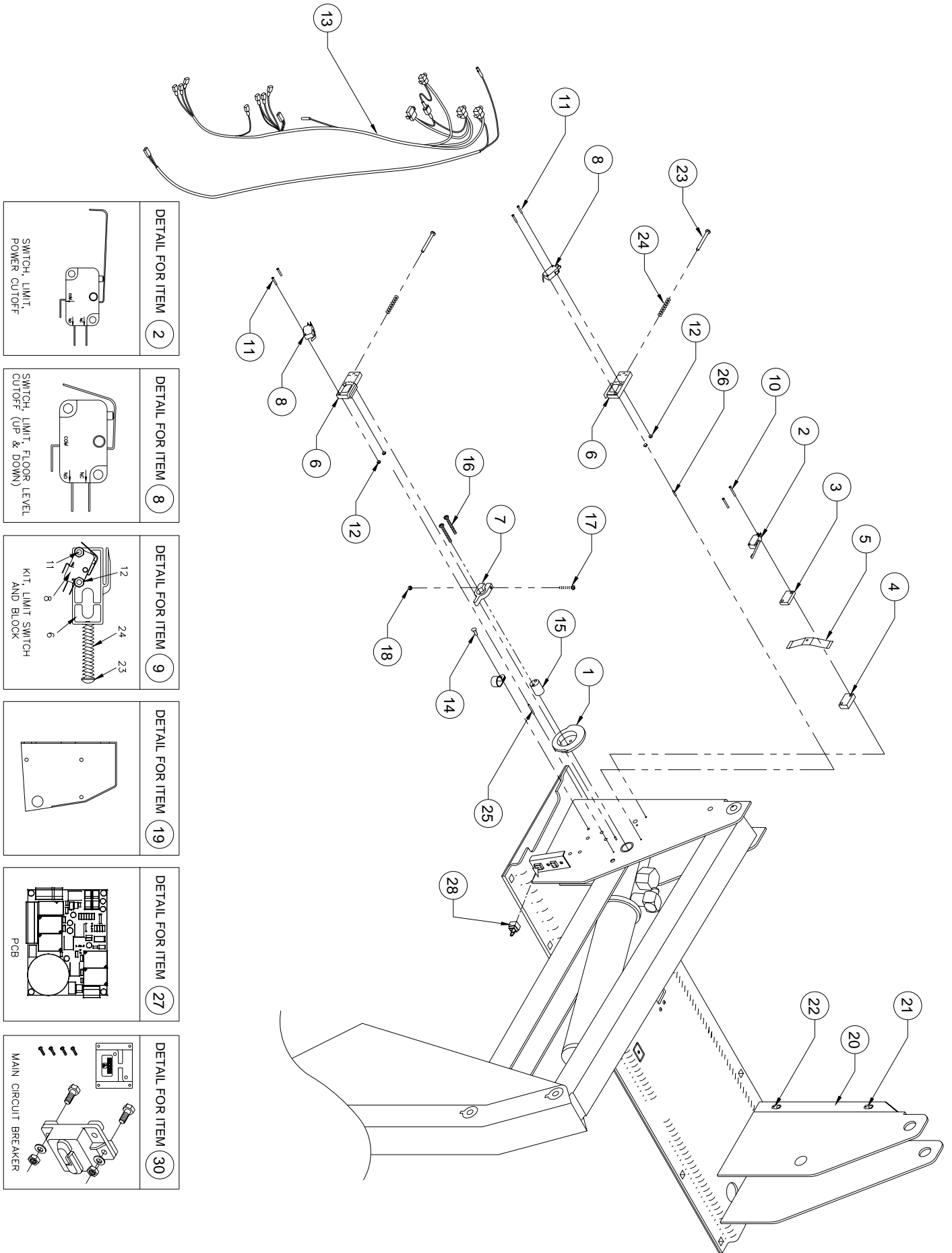


FIGURE 4-3: PRIVATE USE HYDRAULIC SYSTEM

**FIGURE 4-3: PRIVATE USE HYDRAULIC SYSTEM**

REF	DESCRIPTION	QTY	PART NO
1	HANDLE, MANUAL BACKUP PUMP	1	V2-SH-111
2	KIT, TOOL CLIP, W/HDWR	2	19557
3	COVER, ASSY, PUMP, LH	1	V2-CV-220
4	SCREW, HEX, 5/16-18 X .625, BAG OF 10	3	14495
5	WASHER, FLAT, 5/16", BAG OF 10	3	13350
6	HEX ROD, PUMP STANDOFF	2	V2-CV-015
7 *	PUMP ASSY, 12V, FMVSS, LH MOUNTING, COUNTER, PRESSURE SWITCH, W/INTERLOCK	1	PM212210100
8	PLATE, PUMP COVER MOUNT	1	V2-AC-71
9	PLATE, PUMP MOUNT	1	V2-AC-70
10	SCREW, FLAT HEAD, 5/16-18 X 3/4", BAG OF 10	2	14499
11	STUD, THREADED, 5/16-18 X 1.75", BAG OF 10	2	14500
12	CABLE TIE, 5.5", BLACK, BAG OF 10	2	25697
13	TUBE, POLYURETHANE, 6MM x 4MM, BLACK	9'	22-02-230
14	ADAPTOR, # 6 SAE MALE X # 4 JIC MALE	2	26591
15	FITTING, "L", MALE 10-32 X 1/4, BARB	2	V2-SH-16
16	KIT, CYLINDER REPAIR, W-PISTON ASSY, GLAND NUT, AND SEAL	2	V2-SH-56
17	KIT, FLOW CONTROL, FIXED RATE .50 GPM, KIT OF 2	1	30968
18	SCREW, HEX RECESS HEAD, 1/4-20 X 1, BAG OF 10	4	14491
19	HYDRAULIC HOSE, 52.5" X 1/4 JIC X 1/4 JIC, K1100	1	11732
	HOSE ASSY, HYDRAULIC, 61" X 1/4 JIC X 1/4 JIC, K1200	1	V2-SH-009
20	HYDRAULIC HOSE, 21.5" X 1/4 JIC X 1/4 JIC, K1100	1	11731
	HOSE ASSY, HYDRAULIC, 26" X 1/4 JIC X 1/4 JIC, K1200	1	V2-SH-008
21	FITTING, RUN TEE, 1/4 JIC, M-M-F	1	V2-SH-012
22	FITTING, "L", 1/4 JIC M-F SWIVEL	3	VS-SH-06
23	OIL, HYDRAULIC, TEXACO #15, MEETS MIL-H-5606G	1 GAL	20-16-051
24	CYLINDER ASSY, S1100 SERIES & S1200 SERIES	2	VS-SH-105
25	GROMMET, CATERPILLAR, 3/16" X 12"	1	26647
26	SPACER, CABLE OR HOSE	2	25557
27	BUSHING, 3/4"ID X 3/8W	4	25386
28	GLAND NUT, 1.50", WITH SEAL	2	13009

\* Refer to Pump Assembly figure for parts breakdown.



**FIGURE 4-4: PRIVATE USE ELECTRICAL DIAGRAM**

32DSSK04.A



**FIGURE 4-4: PRIVATE USE ELECTRICAL SYSTEM**

REF	DESCRIPTION	QTY	PART NO
1	CAM, LIFT CONTROL	1	V2-AC-107
2	SWITCH, LIMIT, FOLD CUTOFF	1	V2-ES-111
3	BLOCK, FOLD CUTOFF SWITCH OFFSET, 1/4" THICK	1	V2-ES-78
4	BLOCK, FOLD CUTOFF SWITCH OFFSET, 3/8" THICK	1	V2-ES-79
5	SPRING, RETAINING, UPPER/LOWER SWITCH BLOCK	1	V2-ES-95
6	SWITCHBLOCK	2	34314
7	ACTUATOR, FOLD CUTOFF	1	V2-AC-089
8	SWITCH, LIMIT, FLOOR LEVEL POWER CUTOFF, UP & DOWN	2	V2-ES-110
9	KIT, LIMIT SWITCH BLOCK REPLACEMENT	2	V2-ES-61
10	SCREW, 4-40 X 1.25 PAN HEAD, BAG OF 10	1	15908
11	SCREW, 4-40 X .75 PAN HEAD, BAG OF 10	1	15909
12	NUT, HEX, 4-40, BAG OF 10	1	14407
13	ELECTRICAL HARNESS, MAIN, w/INTERLOCK, S1100 SERIES	1	34201
	ELECTRICAL HARNESS, MAIN, w/INTERLOCK, S1200 SERIES	1	33073
14	MS, 10-24 X 1/2 PHIL PAN, BAG OF 10	1	13304
15	PIN, EXTENSION FOLD CUTOFF, BAG OF 10	1	15914
16	MS 10-24 X 1 3/4 PHIL PAN, BAG OF 10	1	29318
17	MS 8-32 X 1 1/4 PHIL PAN, BAG OF 10	1	15906
18	NUT-HEX 8-32 NYLON INSERT, BAG OF 10	1	15907
19 *	COVER ASSY, PUMP, L/H	1	V2-CV-220
20	ENCLOSURE, SENSORS, S1100, S1200	2	32295
	ENCLOSURE, SENSORS, S1100 (sold outside U.S.)	2	31779
21	SENSOR, PHOTOBEAM, RECEIVER	2	32499
22	SENSOR, PHOTOBEAM, TRANSMITTER	2	32498
23	SCREW, RD HEAD, 10-24 X 2", BAG OF 10	1	14497
24	SPRING, COMPRESSION, .30 OD X 2.06L	2	V2-ES-93
25	ROLLPIN, .094 X 1.0, BAG OF 10	1	14498
26	ROLLPIN, .094 X .50, BAG OF 10	1	14496
27	PCB ASSEMBLY, PRIVATE	1	33057
28	SHORTING PLUG	1	UL-ES-007
29 **	HARNESS, PCB TO CAM SWITCH	1	34203
30	KIT, CIRCUIT BREAKER, MAIN (90A)	1	01010K

\* Used for left hand installation only.

\*\* Not shown.

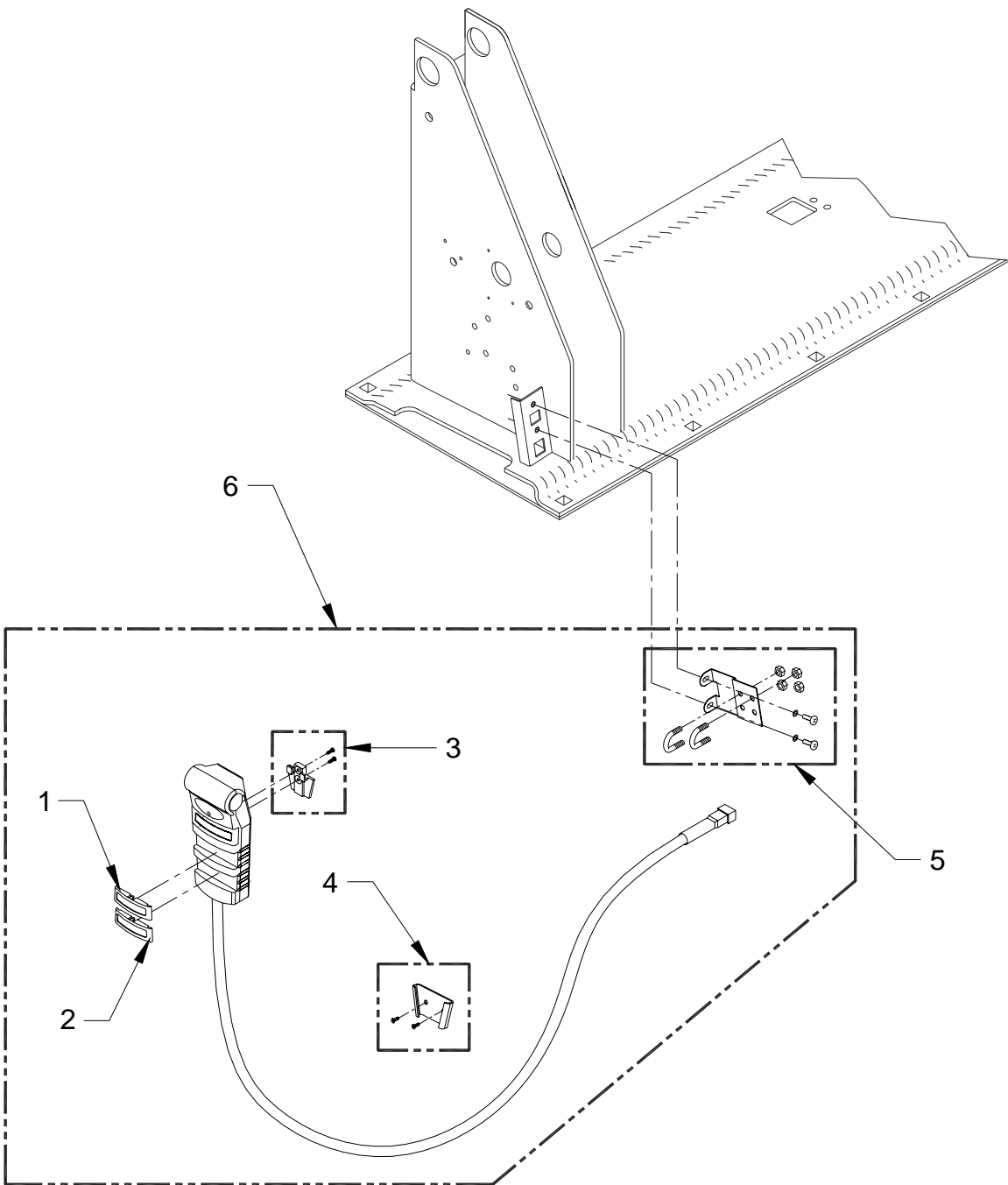


FIGURE 4-5: PRIVATE USE PENDANT

32DSSK04.A

**FIGURE 4-5: PRIVATE USE PENDANT**

<b>REF</b>	<b>DESCRIPTION</b>	<b>QTY</b>	<b>PART NO</b>
1	STOW/DEPLOY BUTTON	1	14731
2	UP/DOWN BUTTON	1	14732
3	V-BRACKET, PLASTIC, W/HDWR	1	14733
4	KIT, WALL MOUNT BRACKET, UNIVERSAL PENDANT	1	14709
5	KIT, CONTROL HARNESS STRAIN RELIEF	1	01007
6	KIT, PENDANT, 7 FT	1	14727
	KIT, PENDANT, COILED CORD	1	14728
	KIT, PENDANT, 10 FT	1	14729
	KIT, PENDANT, STEEL JACKETED CORD	1	14730

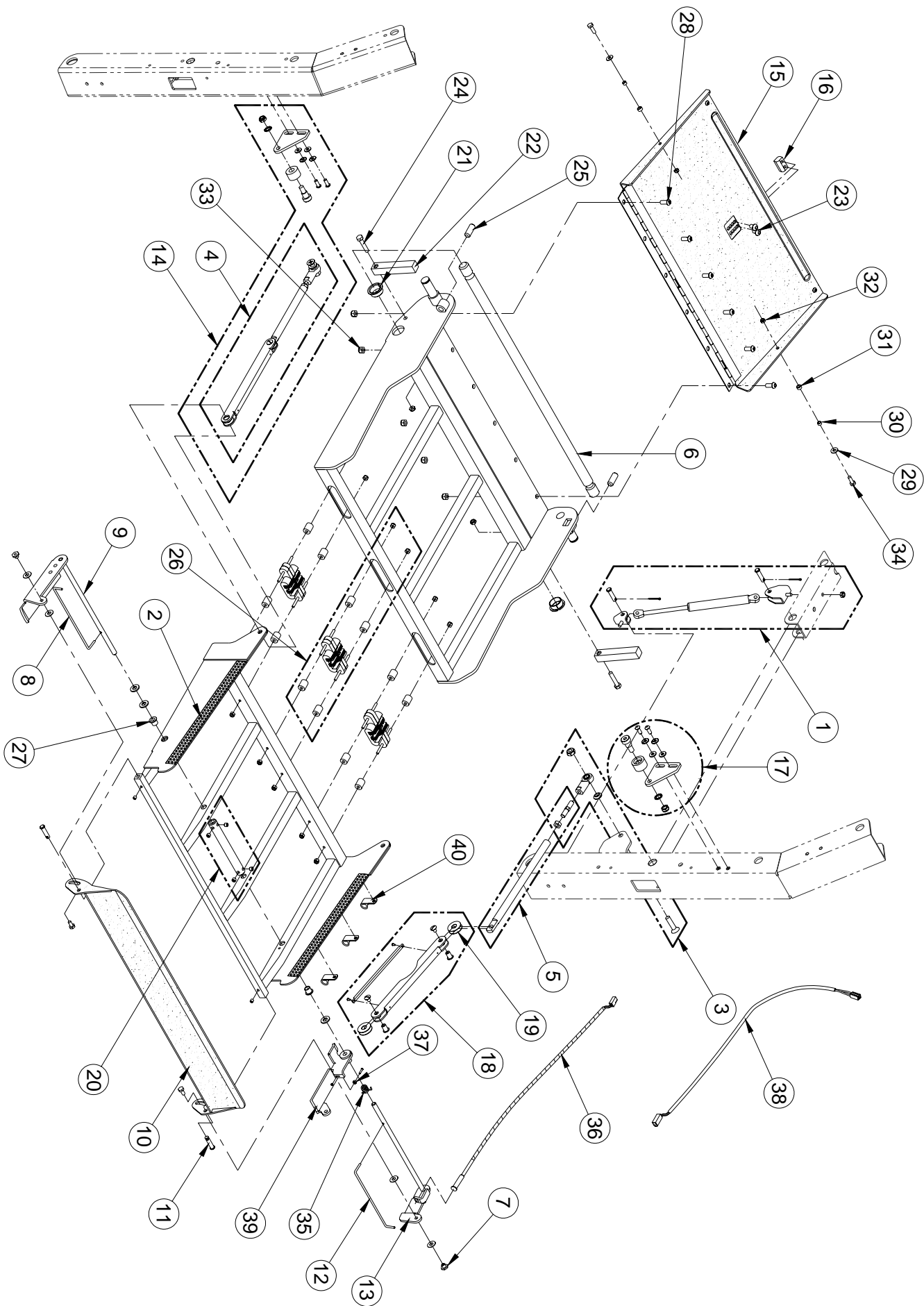
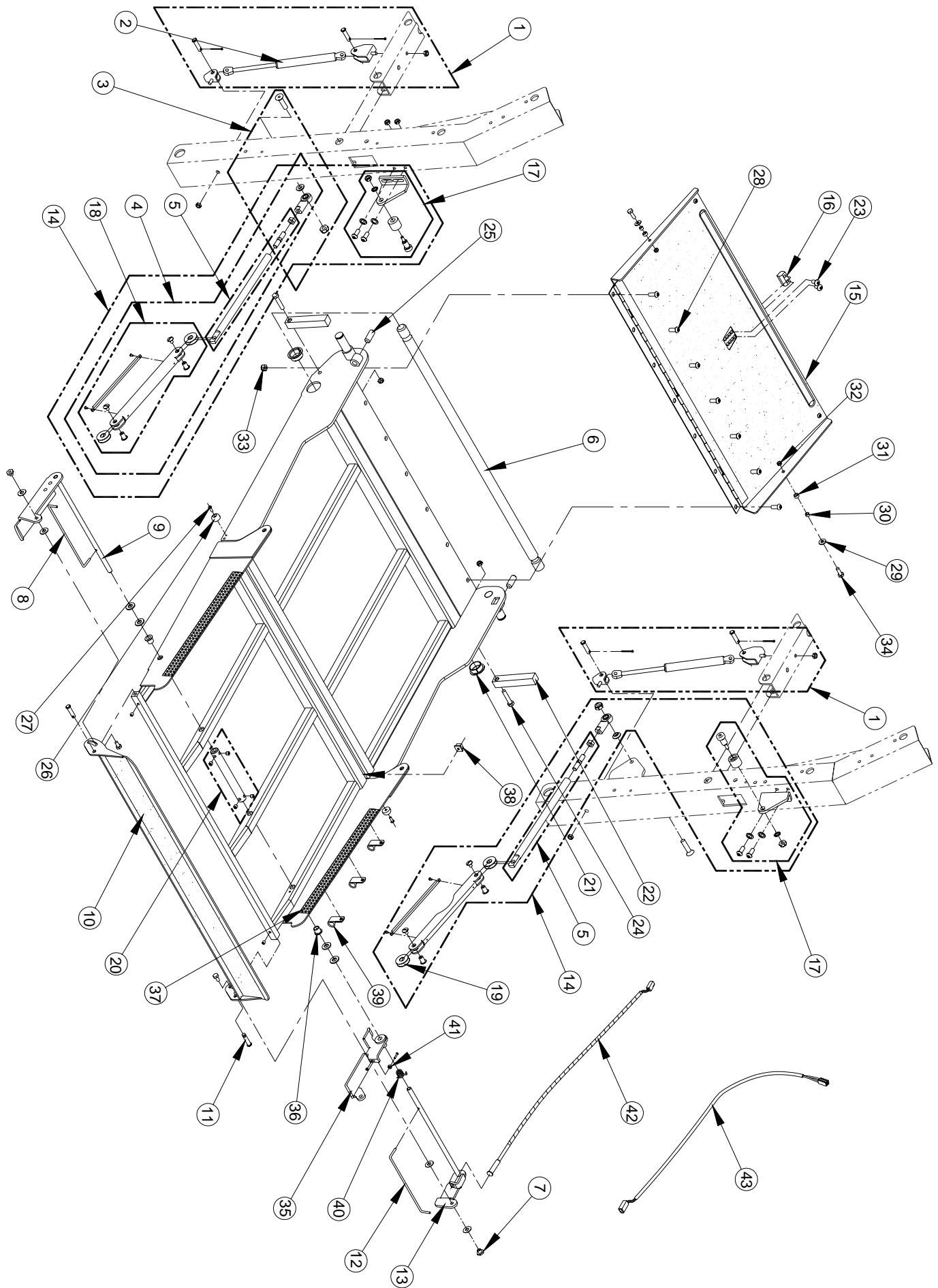


FIGURE 4-6: PRIVATE USE FOLDING PLATFORM ASSEMBLY, K1132

**FIGURE 4-6: PRIVATE USE FOLDING PLATFORM ASSEMBLY, K1132**

REF	DESCRIPTION	QTY	PART NO.
1	KIT, PNEUMATIC SPRING, W-BRACKETS & HDWR	2	21647
2	DECAL, REFLECTIVE, 3.0 X 18, RED & WHITE	2	33011
3	ROD END ASSY, W/HDWR	1	29224
4	LINK ASSY	2	21645
5	KIT, LINK, REAR, 6.75", W/HDWR (left & right side included in kit)	1	29244
6	SHAFT, MAIN, 1" X 32.50	1	VS-PI-14
7	T-NUT, ¼-20X1/4, SST, BAG OF 10	1	14485
8	TORSION BAR, LH	1	V3-SP-21
9	ROLLSTOP ACTUATOR, LH, W/SKI	1	32960
10	ROLLSTOP	1	32912
11	PIN, CLEVIS, 5/16X1-1¼, BAG OF 10	1	19513
12	TORSION BAR, RH	1	V3-SP-22
13	ROLLSTOP ACTUATOR, RH	1	32959
14	KIT, LINK ASSY & BRACKETS, SHORTARM (left & right side included in kit)	1	32824
15	BRIDGEPLATE ASSY, INBOARD	1	33074
16	CATCH, BASE LATCH	1	V2-AC-103
17	KIT, BRACKETS, W/CAM FOLLOWER (left & right side included in kit)	1	31247
18	LINK ASSY, FRONT PLATFORM	2	29222
19	WASHER, DELRIN, 1" OD X .38 ID X .03, BAG OF 10	1	25628
20	KIT, COLLAR, ROLLSTOP ACTUATOR, 6.25", W/HDWR	1	28775
21	KIT, FLANGED BEARING, 1" ID, KIT OF 10	1	19579
22	BLOCK, PLATFORM LEVEL ADJUST	2	VT-AH-142
23	SCREW, BUTTON HEAD, 5/16-18X ½, SST, BLK OX, BAG OF 10	1	14484
24	SCREW, HEX HEAD, 5/16-18X 1 ½, GR5, BAG OF 10	1	14403
25	SETSCREW, ½-20X1¼, W/NYLON INSERT, BAG OF 10	1	19704
26	KIT, HINGE, W/HDWR	3	14352
27	BUSHING, .392 ID, BRONZE	2	V2-BU-195
28	SCREW, BUTTON HEAD, 5/16-18X ¾, SST, BLK OX, BAG OF 10	1	15983
29	WASHER, FLAT, .28X.62X.06, BAG OF 10	1	17504
30	BUSHING, STEEL, .25 ID X .32 OD X .19L	2	V2-BU-003
31	SPACER, .25ID X .40 OD X .2L	2	33805
32	NUT, W/NYLON INSERT, ¼-20, BAG OF 10	1	15919
33	NUT, W/NYLON INSERT, 5/16-18, SST, BAG OF 10	1	14415
34	SCREW, HEX HEAD, ¼-20 X ¾, GR5, BAG OF 10	1	34578
35	SPRING, ROLLSTOP, TORSION	1	30589
36	SENSOR ASSY, ROLLSTOP	1	32755
37	MAGNET, SENSOR, ROLLSTOP	1	MM-400
38	HARNESS, ROLLSTOP SENSOR	1	32710
39	SKI, RH	1	32956
40	CLAMP, 3/8 ID, VINYL LINER	3	295-11121



**FIGURE 4-7: PRIVATE USE FOLDING PLATFORM ASSEMBLY, K1200**

32DSSK04.A

**FIGURE 4-7: PRIVATE USE FOLDING PLATFORM ASSEMBLY, K1200**

REF	DESCRIPTION	QTY	PART NO.
1	KIT, PNEUMATIC SPRING, RETROFIT (left & right side included in kit)	2	19318
2	SPRING, PNEUMATIC ASSIST	2	R5-SP-502
3	ROD END ASSY, W/HDWR	2	29224
4	KIT, LINK ASSY	2	19507
5	KIT, LINK ASSY, REAR FOLDING PLATFORM (left & right side included in kit)	1	29242
6	MAIN SHAFT, 1" DIA X 36.50"	1	VT-PI-43
7	T-NUT, ¼-20, SST, BAG OF TEN	1	14485
8	TORSION SPRING, LH	1	V3-SP-21
9	ACTUATOR, ROLLSTOP, LH	1	32958
10	ROLLSTOP ASSY, 4"X30"	1	33076
11	PIN, CLEVIS, 5/16X1-1/4, BAG OF TEN	1	19513
12	TORSION SPRING, RH	1	V3-SP-22
13	ACTUATOR, ROLLSTOP, RH	1	32957
14	KIT, LINK (YEL) & BRKTS (GRAY), HIGH MOUNT (left & right side included in kit)	1	31250
15	BRIDGEPLATE ASSY, INNER, 30"	1	32917
16	CATCH, BASE LATCH	1	V2-AC-103
17	KIT, BRKTS (GRAY), HIGH MOUNT (left & right side included in kit)	1	31251
18	LINK ASSY, FRONT PLATFORM	1	29222
19	WASHER, DELRIN, 1"ODX.38IDX.03 THK, BAG OF 10	1	25628
20	KIT, COLLAR, ROLLSTOP ACTUATOR, 6.25", W/HDWR	1	28775
21	KIT, FLANGED BEARING, 1" ID (KIT OF 10)	2	19579
22	BLOCK, PLATFORM LEVEL ADJ	2	VT-AH-142
23	SCREW, BUTTON HEAD, 5/16-18X1/2, SST, BLK OX, BAG OF 10	1	14484
24	SCREW HEX HEAD, 5/16-18X 1½, GR5, BAG OF 10	1	14403
25	SETSCREW, ½-20X1/4, W/NYLON INSERT, BAG OF 10	1	19704
26	BUMPER, VHMW, .75DX.38T	2	V2-AC-027
27	SCREW, PANHEAD, #8TEK X ½, BAG OF 10	1	15961
28	SCREW, BUTTON HEAD, 5/16-18 X ¾, SST, BAG OF 10	1	15983
29	WASHER, FLAT, .281 X .625 X .065, BAG OF 10	1	17504
30	BUSHING STEEL, .25ID X .32OD X.19L	1	V2-BU-003
31	SPACER, .25ID X .40OD X .2	2	33805
32	NUT, NYLON INSERT, ¼-20, BAG OF 10	1	15919
33	NUT, NYLON INSERT, 5/16-18, SST, BAG OF 10	1	14415
34	SCREW, HEX HEAD, ¼-20 X ¾, GR5, BAG OF 10	1	34578
35	SKI, LOWER, RH	1	32956
36	BUSHING, BRONZE	2	V2-BU-195
37	DECAL, REFLECTIVE, 3.0 X 18, RED & WHITE	2	33011
38	PLUG, MODIFIED, SQUARE	1	32918
39	CLAMP, 3/8ID, VINYL LINER	3	295-11121
40	SPRING, ROLLSTOP, TORSION	1	30589
41	MAGNET, SENSOR ASSEMBLY, ROLLSTOP	1	MM-400
42	SENSOR ASSEMBLY	1	32755
43	HARNESS, ROLLSTOP SENSOR	1	32710

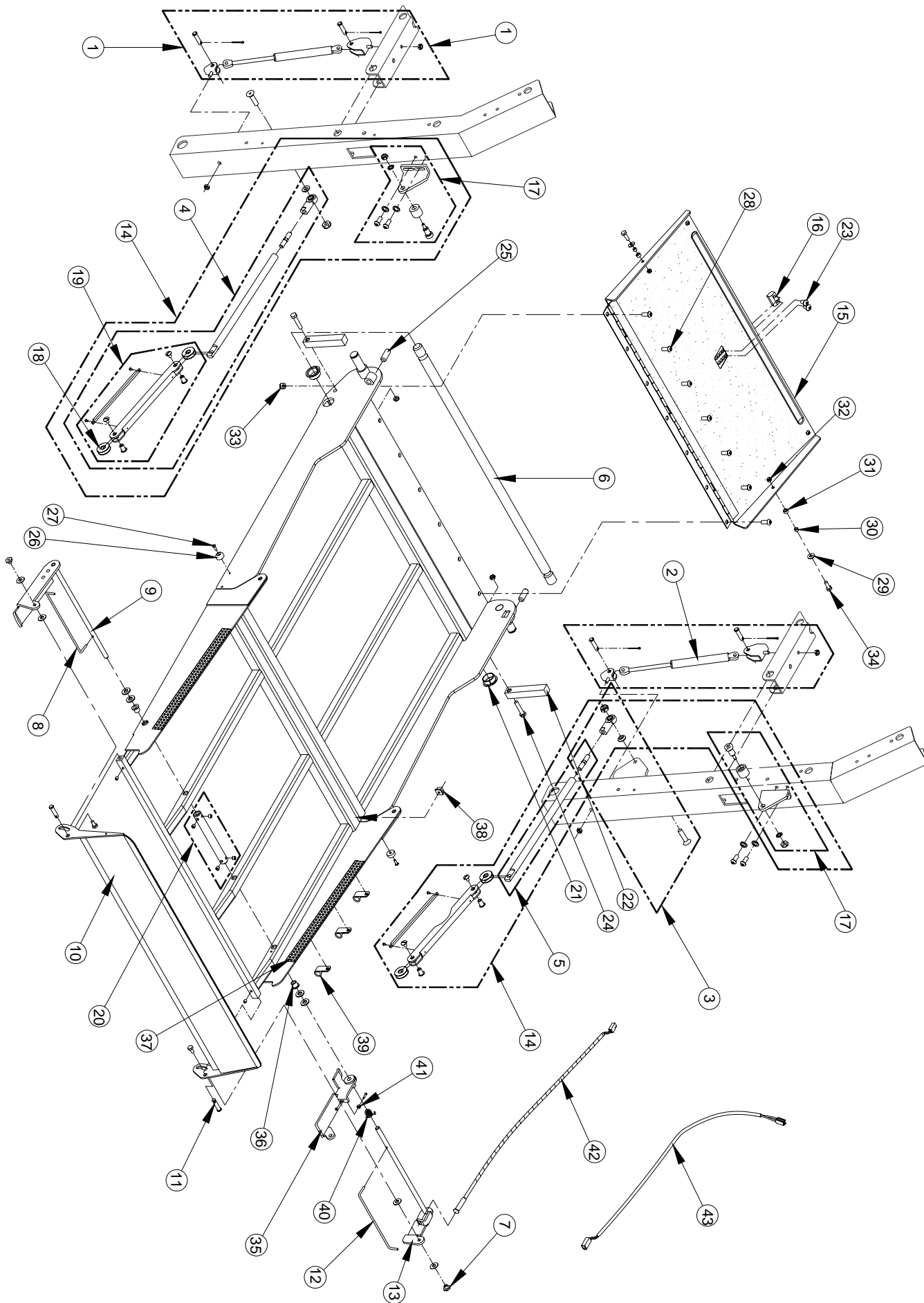


FIGURE 4-8: PRIVATE USE FOLDING PLATFORM ASSEMBLY, K1203

32DSSK04.A



**FIGURE 4-8: PRIVATE USE FOLDING PLATFORM ASSEMBLY, K1203**

REF	DESCRIPTION	QTY	PART NO.
1	KIT, PNEUMATIC SPRING ASSY, RETROFIT (left & right side included in kit)	2	19318
2	SPRING, PNEUMATIC ASSIST	2	R5-SP-502
3	ROD END ASSY, W/HDWR	2	29224
4	KIT, LINK ASSY	2	19522
5	KIT, LINK ASSY, REAR FOLDING PLATFORM (left & right side included in kit)	1	29243
6	MAIN SHAFT, 1" DIA X 36.50"	1	VT-PI-43
7	T-NUT, ¼-20, SST, BAG OF TEN	2	14485
8	TORSION SPRING, LH	1	V2-SP-021
9	ACTUATOR, ROLLSTOP, LH	1	32958
10	ROLLSTOP ASSY, 6"X30"	1	33823
11	PIN, CLEVIS, 5/16X1-1/4, BAG OF TEN	2	19513
12	TORSION SPRING, RH	1	V2-SP-022
13	ACTUATOR, ROLLSTOP, RH	1	32951
14	KIT, LINK (YEL) & BRKTS (GRA) (left & right side included in kit)	1	31253
15	BRIDGEPLATE ASSY, INNER, 30" PLATFORM	1	32917
16	CATCH, BASE LATCH	1	V2-AC-103
17	KIT, BRKTS W/ROLLER (left and right side included in kit)	1	31252
18	WASHER, DELRIN, 1" ODX .38ID, 0.03 THK, BAG OF 10	8	25628
19	LINK ASSY, FRONT PLATFORM	2	29223
20	KIT, COLLAR ROLLSTOP ACTUATOR, 6.25", W/HDWR	1	28775
21	KIT, FLANGED BEARING, 1" ID, KIT OF 10	2	19579
22	BLOCK, PLATFORM LEVEL ADJ	2	VT-AH-142
23	SCREW, BUTTON HEAD, 5/16-18X1/2, SST, BLK OX, BAG OF 10	2	14484
24	SCREW, HEX HEAD, 5/16-18X 1½, GR5, BAG OF 10	2	14403
25	SETSCREW, ½-20X1/4, W/NYLON INSERT, BAG OF 10	2	19704
26	BUMPER, VHMW, .75DX.38T	2	V2-AC-027
27	SCREW, PAN HEAD, #8TEK X ½, BAG OF 10	2	15961
28	SCREW, BUTTON HEAD, 5/16-18 X ¾ SST, BLK OX, BAG OF 10	7	15983
29	WASHER, FLAT, .281 X .625 X .065, BAG OF 10	2	17504
30	BUSHING STEEL, .25ID X .32OD X.19L	2	V2-BU-003
31	SPACER, .25ID X .40OD X .2	2	33805
32	NUT, W/NYLON INSERT, ¼-20, BAG OF 10	2	15919
33	NUT, W/NYLON INSERT, 5/16-18, SST, BAG OF 10	7	14415
34	SCREW, HEX HEAD, ¼-20 X ¾ GR5, BAG OF 10	2	34518
35	SKI, LOWER, RH	1	32956
36	BUSHING, BRONZE	2	V2-BU-195
37	DECAL, REFLECTIVE, 3.0 X 18, RED & WHITE	2	33011
38	PLUG, MODIFIED, SQUARE	1	32918
39	CLAMP, 3/8ID, VINYL LINER	3	295-11121
40	SPRING, ROLLSTOP, TORSION	1	30589
41	MAGNET, SENSOR ASSEMBLY, ROLLSTOP	1	MM-400
42	SENSOR ASSEMBLY	1	32755
43	HARNESS, ROLLSTOP SENSOR	1	32710

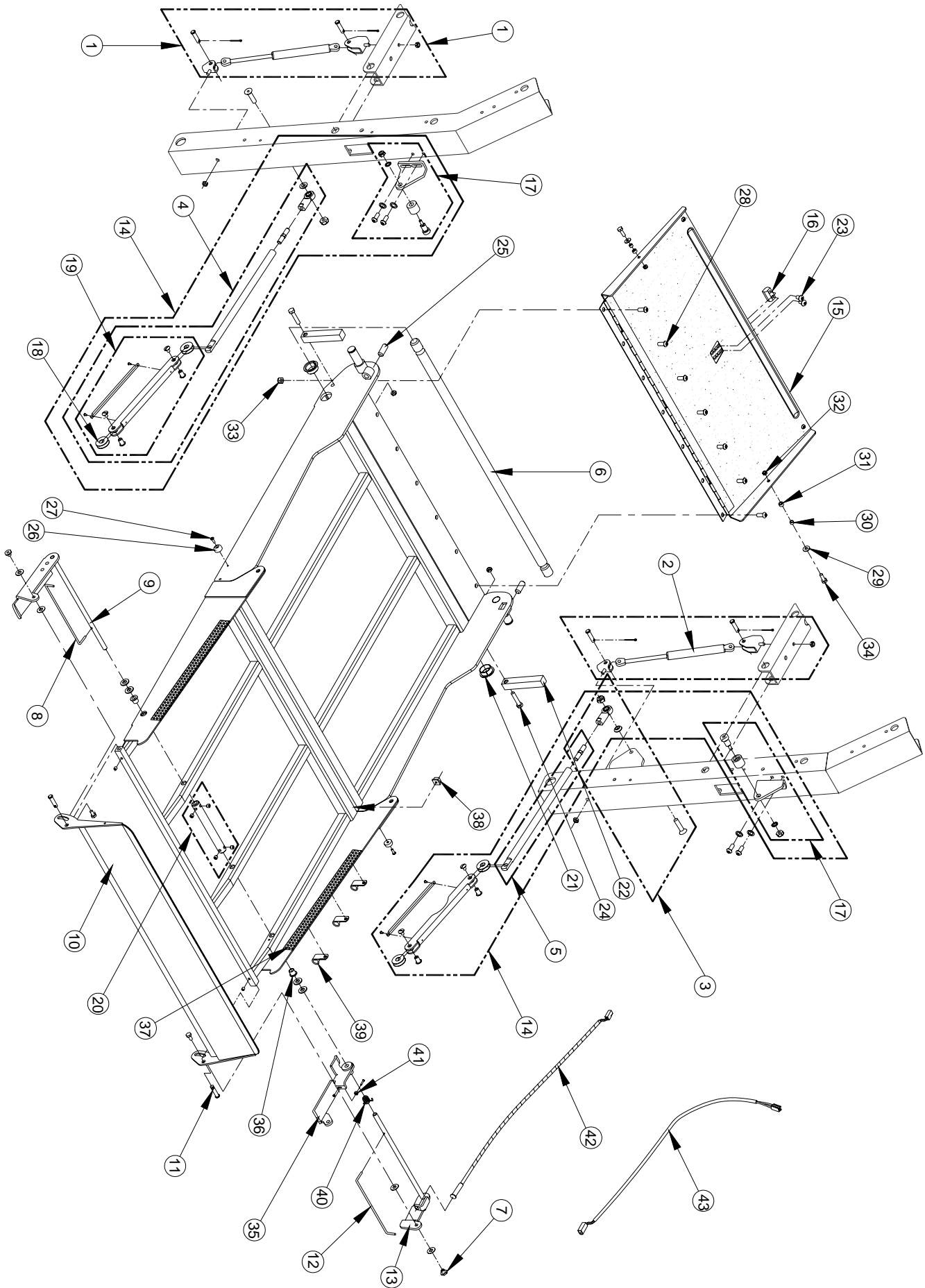
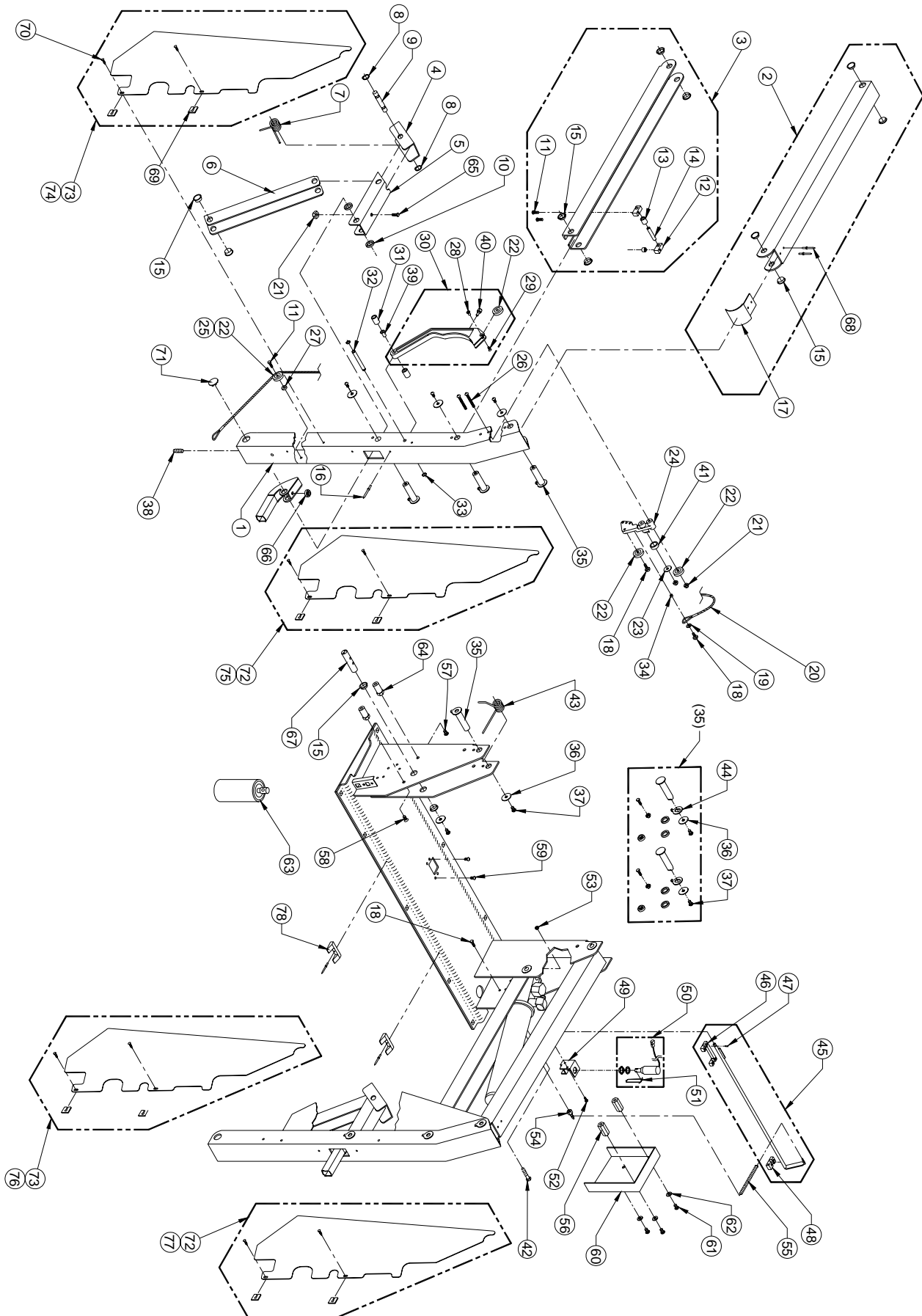


FIGURE 4-9: PRIVATE USE FOLDING PLATFORM ASSEMBLY, K1205

**FIGURE 4-9: PRIVATE USE FOLDING PLATFORM ASSEMBLY, K1205**

REF	DESCRIPTION	QTY	PART NO
1	KIT, PNEUMATIC SPRING ASSY, RETROFIT (left & right side included in kit)	2	19318
2	SPRING, PNEUMATIC ASSIST	2	R5-SP-502
3	ROD END ASSY, W/HDWR	2	29224
4	KIT, LINK ASSY	2	19523
5	KIT, LINK ASSY, REAR FOLDING PLATFORM (left & right side included in kit)	1	29243
6	MAIN SHAFT, 1" DIA X 39.13"	1	VT-PI-49
7	T-NUT, ¼-20, SST, BAG OF TEN	1	14485
8	TORSION SPRING, LH	1	V2-SP-021
9	ACTUATOR, ROLLSTOP, LH	1	32958
10	ROLLSTOP ASSY, 6"X32"	1	33824
11	PIN, CLEVIS, 5/16X1-1/4, BAG OF TEN	1	19513
12	TORSION SPRING, RH	1	V2-SP-022
13	ACTUATOR, ROLLSTOP, RH	1	32957
14	KIT, LINK (GRAY) & BRKTS (GRAY), RH & LH	1	31254
15	BRIDGEPLATE ASSY, INNER	1	33828
16	CATCH, BASE LATCH	1	V2-AC-103
17	KIT, BRACKETS W/ROLLER (left and right side included in kit)	1	31252
18	WASHER, DELRIN, 1" ODX.38IDX.03 THK, BAG OF 10	1	25628
19	LINK ASSY, FRONT PLATFORM	2	29222
20	KIT, COLLAR ROLLSTOP ACTUATOR, 6.25", W/HDWR	1	28775
21	KIT, FLANGED BEARING, 1" ID KIT OF 10	1	19579
22	BLOCK, PLATFORM LEVEL ADJ	2	VT-AH-142
23	SCREW, BUTTON HEAD, 5/16-18X1/2, SST, BAG OF 10	1	14484
24	SCREW, HEX HEAD, 5/16-18X1½, GR5, BAG OF 10	1	14403
25	SETSCREW, ½-20X1/4, W/NYLON INSERT, BAG OF 10	1	19704
26	BUMPER, VHMW, .75DX.38T	2	V2-AC-027
27	SCREW, PAN HEAD, #8TEK X ½, BAG OF 10	1	15961
28	SCREW, BUTTON HEAD, 5/16-18 X ¾ SST, BAG OF 10	1	15983
29	WASHER, FLAT, .28 X .625 X .065, BAG OF 10	1	17504
30	BUSHING STEEL, .25ID X .32OD X.19L	2	V2-BU-003
31	SPACER, .25ID X .40OD X .2	2	UV-PF-839
32	NUT, W/NYLON INSERT, ¼-20, BAG OF 10	1	15919
33	NUT, W/NYLON INSERT, 5/16-18, SST, BAG OF 10	1	14415
34	SCREW, HEX HEAD, ¼-20 X ¾, GR5, BAG OF 10	1	13308
35	SKI, LOWER, RH	1	32956
36	BUSHING, BRONZE	2	V2-BU-195
37	DECAL, REFLECTIVE, 3.0 X 18, RED & WHITE	2	33011
38	PLUG, MODIFIED, SQUARE	1	32918
39	CLAMP, 3/8ID, VINYL LINER	3	295-11121
40	SPRING, ROLLSTOP, TORSION	1	30589
41	MAGNET, SENSOR ASSEMBLY, ROLLSTOP	1	MM-400
42	SENSOR ASSEMBLY	1	32755
43	HARNESS, ROLLSTOP SENSOR	1	32710



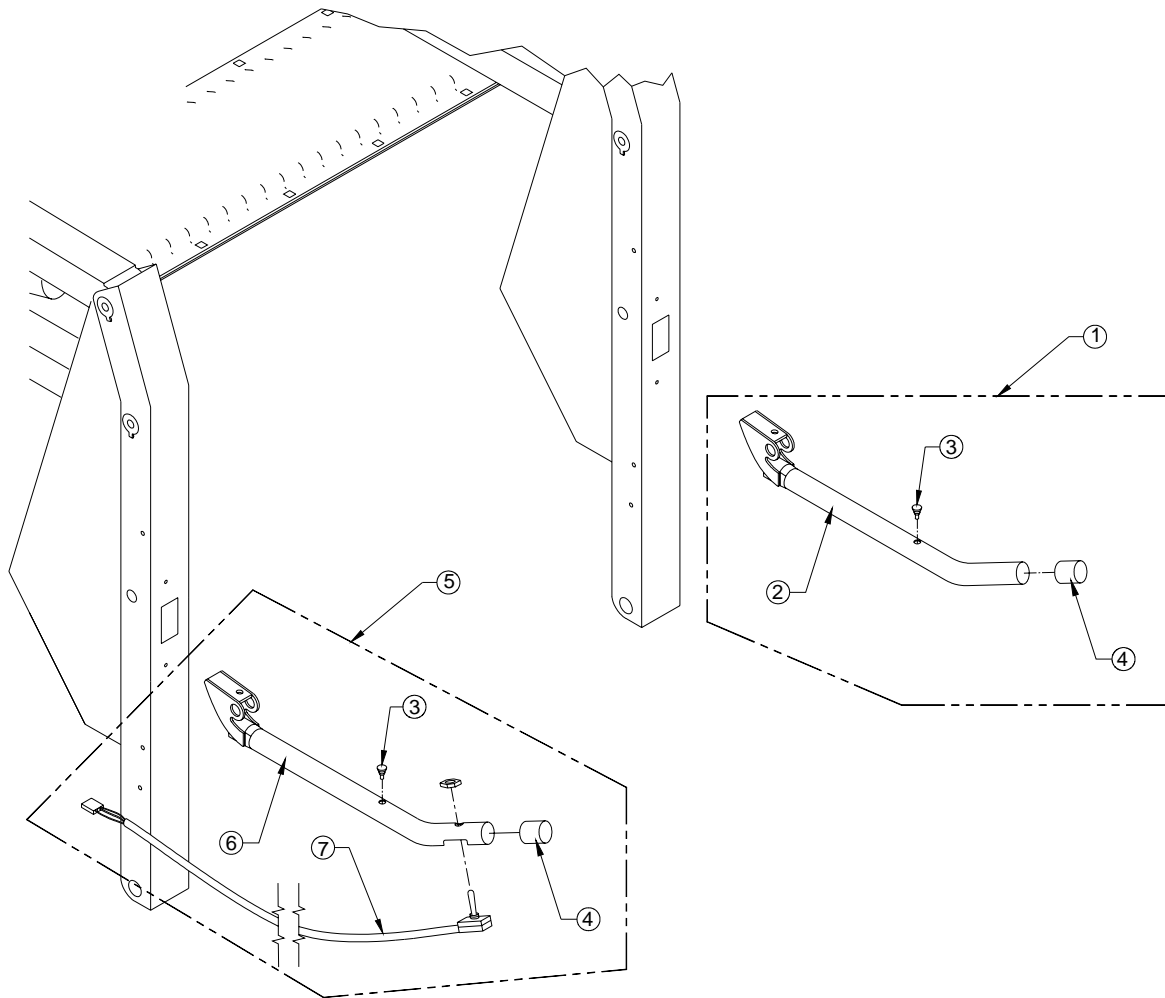
**FIGURE 4-10: PRIVATE USE TRAVELLING FRAME**

**FIGURE 4-10: PRIVATE USE TRAVELLING FRAME**

REF	DESCRIPTION	QTY	PART NO
1	VERTICAL ARM ASSY, RH, K1100	1	21604
	VERTICAL ARM ASSY, LH, K1100	1	21605
	VERTICAL ARM ASSY, RH, K1200	1	15167
	VERTICAL ARM ASSY, LH, K1200	1	15166
2	TOP ARM ASSY	2	VS-AC-250
3	BOTTOM ARM ASSY	2	VS-AC-252
4	SADDLE ASSEMBLY	2	VT-AC-046
5	LINK, UPPER KNUCKLE LEVER ASSY	2	VT-AC-070
6	LINK, VERTICAL KNUCKLE ASSY, K1100	2	V1-AC-069
	LINK, VERTICAL KNUCKLE ASSY, K1200	2	VS-AC-069
7	SPRING, KNUCKLE ACTUATOR	2	VT-SP-42
8	RETAINING RING, .75" EXTERNAL, BAG OF 10	1	11796
9	PIN, SNAP RING, .75 OD X 2.15L	2	VT-PI-41
10	SPACER, KNUCKLE LINK	4	VT-BU-42
11	SCREW, BUTTON HEAD, 1/4-20 X 1", SST, BAG OF 10	1	19715
12	RETAINER, CAM ROLLER	4	V2-AC-025
13	ROLLER, INNER ROLLSTOP CAM	2	V2-AC-024
14	PIN, CAM ROLLER	2	V2-PI-094
15	FLANGED BUSHING, .75ID, BAG OF 10	1	19576
16	RIVET, BLIND, 3/16 X 1/2", ALUM, BAG OF 10	1	15918
17	CAP, UPPER PARALLEL ARM	2	V2-AC-89
18	SCREW, HEX HEAD, 1/4-20 x 3/4, BAG OF 10	1	13308
19	WASHER, FLAT, .63OD x .28ID x .065, BAG OF 10	1	17504
20	KIT, INNER ROLLSTOP CABLE, K1100	1	13661
	KIT, INNER ROLLSTOP CABLE, K1200	1	16093
21	NUT, HEX ¼-20, W/NYLON INSER, BAG OF TEN	1	15919
22	BEARING, GROOVED	8	VS-AH-06
23	WASHER, FENDER, ¼"X1" OD, BAG OF TEN	1	25623
24	BLOCK, PULLEY MOUNT, INNER ROLLSTOP	2	V2-AC-112
25	BEARING, 1" OD, GROOVED, .25ID	2	25374
26	SCREW, BUTTON HEAD, 1/4-20 x 2 1/4, SST, BAG OF 10	1	19720
27	BUSHING, 5/8 OD X 3/16L	2	VS-AH-13
28	T-NUT, FLAT HEAD, 10-24 X .25 OD X .44L	2	V2-AC-015
29	SCREW, FLAT HEAD, 10-24 x ½, BAG OF 10	1	13303
30	CAM ASSY, INNER ROLLSTOP ACTUATOR	2	V2-AC-190
31	KIT, SPACER, RUBBER, INNER ROLLSTOP CAM (KIT OF 4)	1	01224
32	PIN, SNAP RING, .38OD X 3.09L	2	VS-PI-09
33	RETAINING RING, .38ID, BAG OF 10	1	11795
34	BUSHING, STEEL, 251D X 320D X .19L	2	V2-BU-003
35	KIT, RETROFIT, PIN, LINK, ARM ASSY	6	16679
36	WASHER, FENDER, 5/16, SST, BAG OF TEN	1	15921
37	SCREW, BUTTON HEAD, 5/16-18X½, SST, BAG OF TEN	1	14494
38	SET SCREW, 3/8-16X3/8", CUP POINT	1	11797
39	BEARING, NYLINER, 3/8 IDX11/16 LONG	2	25562
40	BUMPER, BUTTON, IRS CAM, BAG OF 10	1	19783
41	BUMPER, IRS CAM, ANTI-RATTLE	2	V2-BU-090
42	SCREW, HEX HEAD, 1/4-20 X 1-3/4, BAG OF 10	1	25696
43	SPRING, UPPER PARALLEL ARM	2	V2-SP-97

**FIGURE 4-10: PRIVATE USE TRAVELLING FRAME**

REF	DESCRIPTION	QTY	PART NO
44	WASHER, KEYED	2	20258
45	KIT, LATCH RELEASE, 26", w/BLOCKS & HDWR	1	28767
	KIT, LATCH RELEASE, 30", w/BLOCKS & HDWR	1	28768
46	BLOCK, CENTER MOUNTING, BASE LATCH	1	V2-AC-102
47	DOWEL PIN, .094 DIA X .38 L, BAG OF 10	1	25615
48	BLOCK, MOUNTING, BASE LATCH	1	V2-AC-001
49	BRACKET, STOW LOCK SOLENOID	1	V2-AC-108
50	SOLENOID ASSY, 12V, STOW LOCK	1	V2-ES-127
51	CLIP, SPRING, BASE LATCH	1	V2-AC-009
52	SCREW, FLAT HEAD, 10-24 x 1/2, SST, BAG OF 10	1	14426
53	NUT, HEX, NYLON INSERT, 10-24, BAG OF 10	1	13382
54	PIN, SPRING MOUNTING	1	V2-PI-095
55	SPRING, DOOR HELPER .38OD X 3.5"	1	V2-SP-093
56	BUSHING, LATCH COVER	2	V2-BU-080
57	SCREW, HEX HEAD, 5/16-18 X 3/4", BAG OF 10	1	15901
58	SCREW, FLAT HEAD, 5/16-18X3/4, BAG OF 10	1	14499
59	SCREW, BUTTON HEAD, 1/4-20X1/2", SST, BAG OF TEN	1	15902
60	COVER, BASE LATCH	1	V2-CV-123
61	SCREW, HEX HEAD, 5/16-18 X .625, BAG OF 10	1	14495
62	WASHER, FLAT, .69OD x .34ID x .065, BAG OF 10	1	13350
63	SPRAY PAINT, TOUCH-UP, CHARCOAL	1	25340
64	BUSHING, E-COVER MOUNT	2	V2-BU-081
65	SCREW, HEX HEAD, 1/4-20X1, BAG OF TEN	1	14493
66	GROMMET, .30ID x .88OD x .44, BAG OF 10	1	23391
67	PIN, CONTROL CAM	1	V2-PI-091
68	RIVET, BLIND, 3/16ODX5/8L, STEEL, BAG OF 10	1	34519
69	SPRING NUT, 10-24, U-TYPE, BAG OF 10	1	11799
70	SCREW, PAN HEAD, 10-24 x 1/2, BAG OF 10	1	13304
71	PLUG, 1" LOW PROFILE, BLACK NYLON	2	25563
72	KIT, PINCH POINT SHIELD, LH INSIDE AND RH OUTSIDE, W/HDWR, K1100	2	29183
73	KIT, PINCH POINT SHIELD, LH OUTSIDE AND RH INSIDE, W/HDWR, K1100	2	29167
74	KIT, PINCH POINT SHIELD, LH OUTSIDE, W/HDWR, K1200	1	29162
75	KIT, PINCH POINT SHIELD, LH INSIDE, W/HDWR, K1200	1	29165
76	KIT, PINCH POINT SHIELD, RH INSIDE, W/HDWR, K1200	1	29181
77	KIT, PINCH POINT SHIELD, RH OUTSIDE, W/HDWR, K1200	1	29178
78	GUIDE BLOCK, BRIDGEPLATE	2	34343



**FIGURE 4-11: PRIVATE USE HANDRAILS**

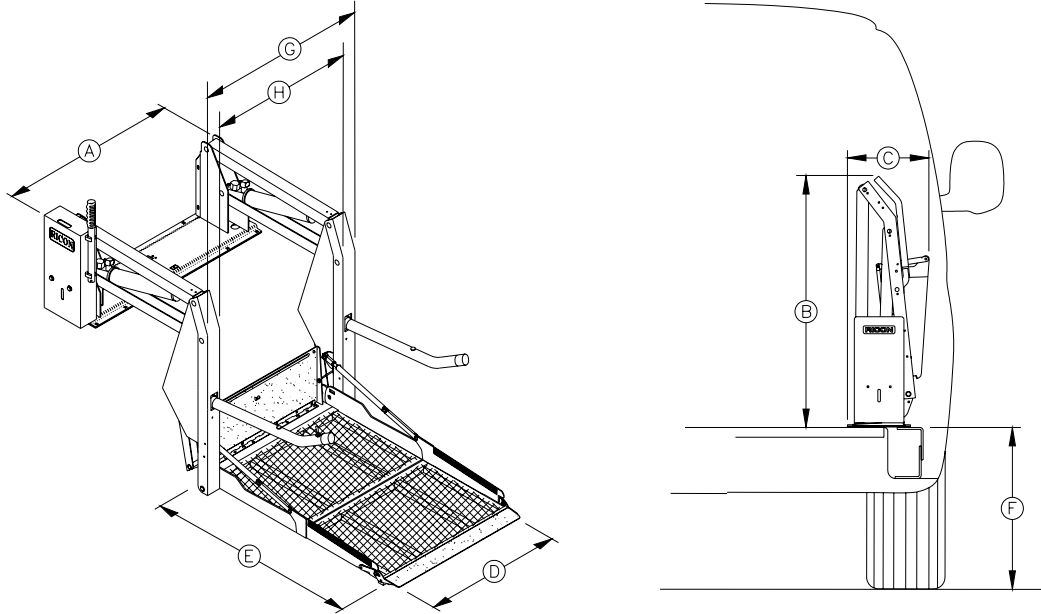
<b>FIGURE 4-11: PRIVATE USE HANDRAILS</b>			
<b>REF</b>	<b>DESCRIPTION</b>	<b>QTY</b>	<b>PART NO</b>
1	HANDRAIL ASSEMBLY, RH	1	VS-AC-159
2	HANDRAIL, RH	1	VS-AC-181
3	RUBBER BUMPER, BAG OF 10	1	20653
4	CAP, BLACK	2	25550
5	HANDRAIL ASSEMBLY, LH, W/HARNESS	1	VS-AC-160
6	HANDRAIL, LH	1	VS-AC-182
7	HARNESS, ARM SWITCH	1	V2-ES-012

## APPENDIX 1 LIFT SPECIFICATIONS

### K-SERIES PRIVATE USE PLATFORM LIFT

Power..... electro-hydraulic  
 Motor rating @ 12 volts DC ..... 65.0 amp. avg/cycle, 1250 psi  
                   @ 24 volts DC ..... 32.5 amp. avg/cycle, 1250 psi  
 Hydraulic cylinders ..... 2 ea, 1.5", power-up/gravity-down

Rated load capacity ..... 600 lbs  
 Manual backup (up)..... hand pump  
 Manual backup (down) ..... pressure release valve  
 Lift weight ..... 340 - 370 lbs



#### DIMENSIONS (inches)

	<b>A</b>	<b>B</b>	<b>C</b>	<b>D</b>	<b>E</b>	<b>F</b>	<b>G</b>	<b>H</b>
<b>MODEL</b>	Stationary frame width	Height (folded)	Installation depth (folded)	Usable platform width	Usable platform length	Floor-to-ground travel	Traveling frame width	Clear entry width
K1132	43	38.6	15.5	26	38	24	33.5	29.25
K1200	47	38.5	15.5	30	44	28	37.5	29.25
K1203	47	43.6	15.5	30	51	28	37.5	29.25
K1205	49	43.6	15.5	32	51	28	39.5	31.25



