

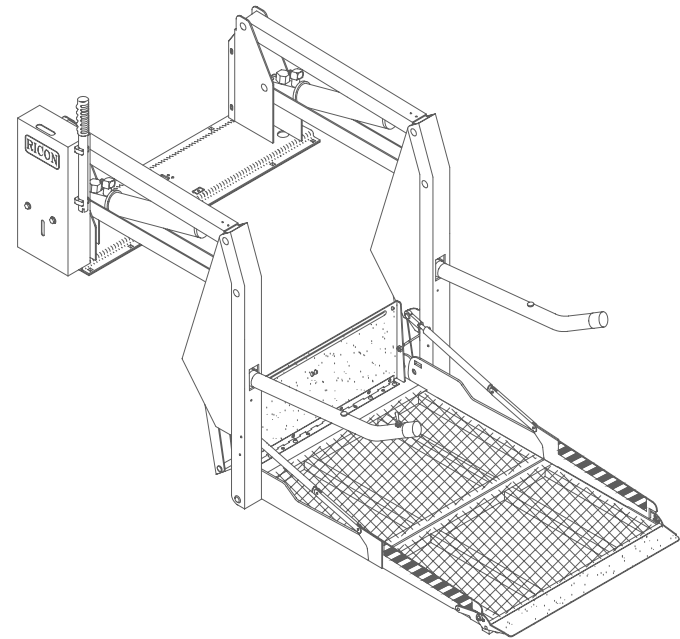
TABLE OF CONTENTS

PRINT ENTIRE MANUAL



INNOVATION IN MOBILITY™

K-Series KlearVue DOT – Private Use Lift



OPERATOR MANUAL



08/02/05

32DSSK03.B

©1995-2005 RICON CORPORATION
All Rights Reserved

U.S. and Foreign Patents Pending
Printed in the United States of America