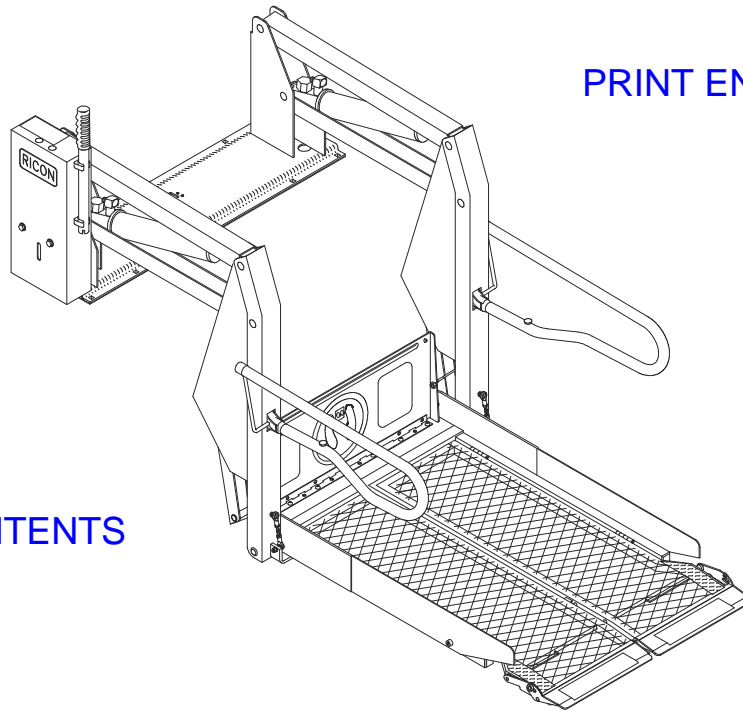




**INNOVATION IN MOBILITY™**

***S-Series™  
Export Use  
Wheelchair and Standee Lift  
with Folding Platform***

[PRINT ENTIRE MANUAL](#)



[TABLE OF CONTENTS](#)

# **Service Manual**