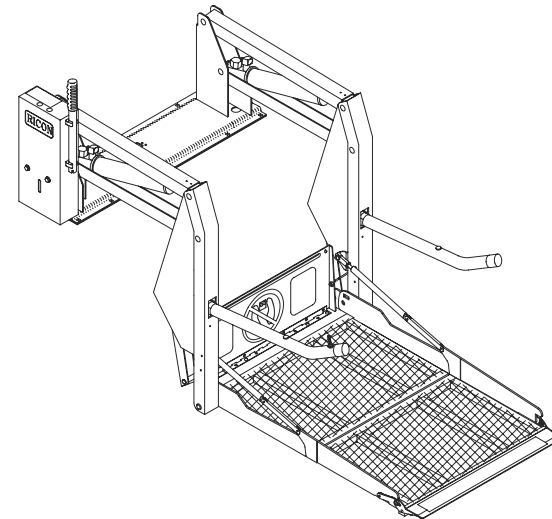




**Ricon**<sup>®</sup>  
A **Wabtec** company

**K-Series<sup>®</sup>**  
**KlearVue™ Folding Platform**  
**Wheelchair Lift for**  
**Personal and Transit Use**



[-PRINT ENTIRE MANUAL-](#)

[-TABLE OF CONTENTS-](#)

**OPERATOR MANUAL**



10/15/11

32DSS101.D

©2011 RICON CORPORATION

[-HOME-](#)

All Rights Reserved

U.S. and Foreign Patent(s) Pending  
Printed in the United States of America