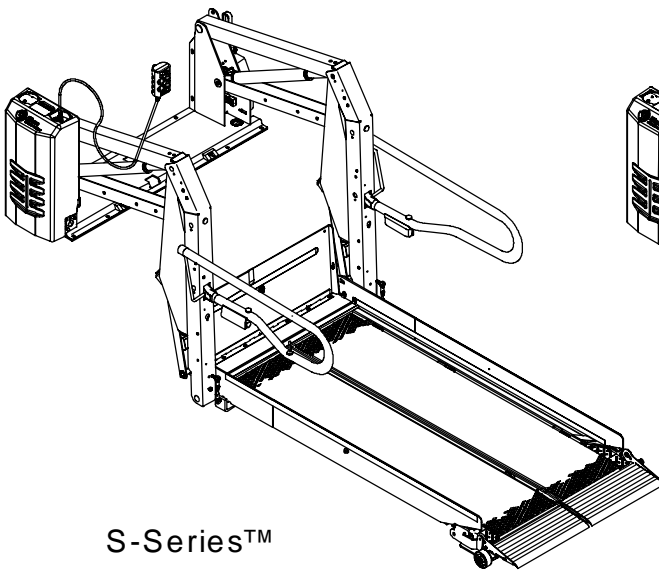




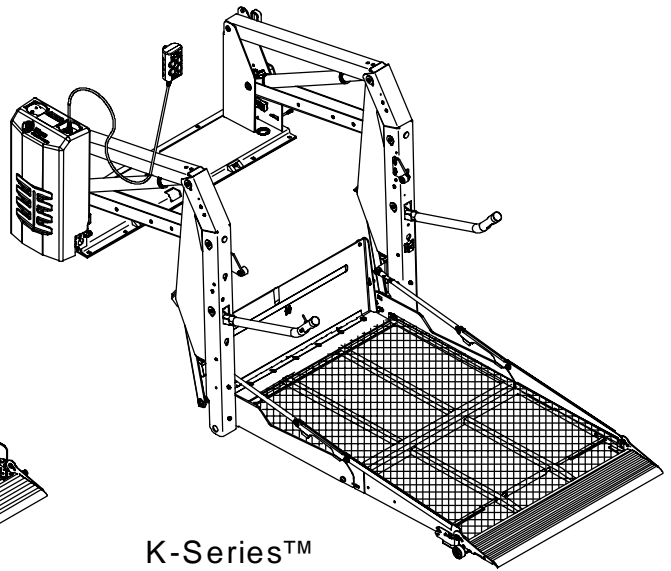
**Ricon**®

*A Wabtec company*

# **S-SERIES™ AND K-SERIES™ EXPORT USE WHEELCHAIR AND STANDEE LIFT**



S-Series™



K-Series™

*-Print Entire Manual-*

*-Table Of Contents-*

*-Go to Spare Parts-*

## **Service Manual**

09/30/10

32DSKE02.B.1

©2010 RICON CORPORATION  
All Rights Reserved

U.S. Patent Nos: 4,534,450; 5,228,538; 5,308,215; 5,373,915; 5,445,488; 5,605,431; 5,944,473; 6,043,741

Australia Patent Nos: 661127; 697066

Canadian Patent Nos: 1,245,603; 2,129,821; 2,168,761

German and U.K. EP0625896B1

Other U.S. and foreign patents pending